

WALL INDICATOR POST

MODEL LVWP



Specifications:

- Meet or exceed the requirements of NFPA 24 standard
- Indicates if the valve is in the OPEN or SHUT position
- Target nut to allow 13 to 45 turns
- Protected windows
- Telescoping Operating Rod
- Easily adjustable indicator OPEN and SHUT targets
- UL/ULC 789 listed
- GOST certified

Options:

- Fusion bonded coating interior and exterior
- Stainless steel fasteners: A2-70 or A4-70
- Steel pipe optional

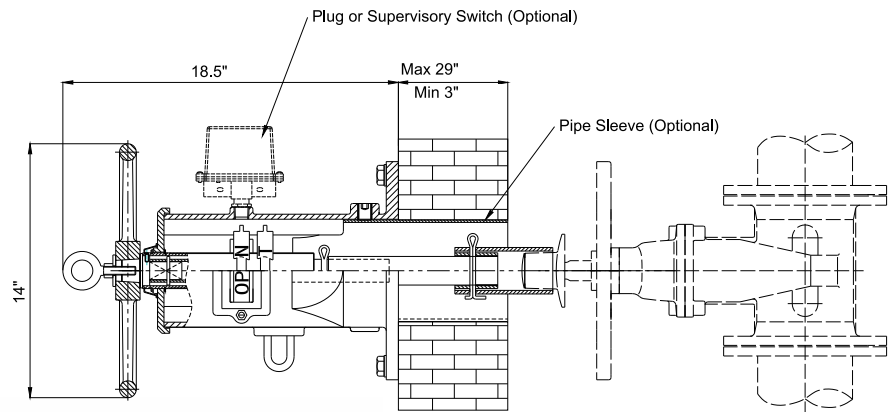
Field Adjustments:

- Remove the post head to adjust OPEN and SHUT signs as required
- Adjust telescoping rod and pipe to desired length
- Re-attach the post to the post flange on the valve

Corrosion Protection:

- Spray painted interior and exterior meet or exceed all applicable of AWWA C550 standard
- Standard Barrel: Black Bitumen coated

Material Specifications		
Part	Material	ASTM Specifications
Post Head	Cast Iron	A126 Class B
Operating Wrench	Ductile Iron	A536 Grade 65-45-12
Retaining Ring	Stainless Steel	A276 Type 304
Weather Cap	Polyethylene	Commercial
Threaded Sleeve	Stainless Steel	A276 Type 304
Pipe Plug	Malleable Iron	A47 Grade 22010
Target Plate	Aluminum Alloy	B26
Screw	Carbon Steel	A105
Windows	Pexiglass	Commercial
Gasket	Rubber	D2000 NBR
Upper Rod	Carbon Steel	A53 Type S Grade B
Lower Rod	Carbon Steel	A53 Type S Grade B
Cotter Pin	Stainless Steel	A276 Type 304
Crane Coupling	Carbon Steel	A53 Type S Grade B



PROJECT	APPROVAL STAMP
PROJECT:	<input type="checkbox"/> APPROVED
ADDRESS:	<input type="checkbox"/> APPROVED AS NOTED
ENGINEER:	<input type="checkbox"/> NOT APPROVED
SUBMITTAL DATA:	REMARKS:
NOTES 1:	
NOTES 2:	