

WALL INDICATOR POST

MODEL LV-WIP



DESCRIPTION:

- Meet or exceed the requirements of NFPA 24 standard
- Indicates if the valve is in the open or shut position
- Target nut to allow 13 to 45 turns
- Protected windows
- Telescoping operating rod
- Easily adjustable indicator OPEN and SHUT targets
- UL/ULC 789 listed
- GOST certified
- Available open left or open right

CORROSION PROTECTION:

- Spray painted interior and exterior meet or exceed all applicable of AWWA C550 standard
- Standard barrel: black bitumen coated

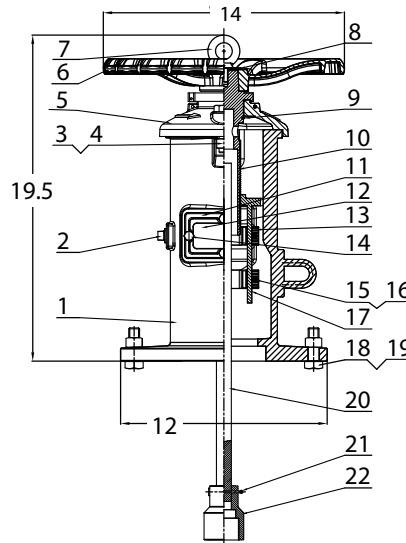
OPTIONS:

- Fusion bonded coating interior and exterior
- Stainless steel fasteners: A2-70 or A4-70
- Pipe sleeve optional

FIELD ADJUSTMENTS:

- Remove the post head to adjust OPEN and SHUT signs as required
- Adjust telescoping rod and pipe to desired length
- Re-attach the post to the post flange on the valve

MATERIAL SPECIFICATIONS		
NO.	PART	MATERIAL
1	Body	A126 Class B
2	Plug	Malleable Iron Galvanized
3	Square Nut	Carbon Steel Zinc Plated
4	Hex Bolt	Carbon Steel Zinc Plated
5	Cover	DI-A536Gr 65-45-12
6	Hand Wheel	DI-A536Gr 65-45-12
7	Eye Bolt	Carbon Steel ASTM A307B
8	Washer	Carbon Steel ASTM A307B
9	Snap Ring	Stainless Steel AISI106
10	Operating Nut	AISI 304
11	Gasket	EPDM
12	Window Class	Pexiglass
13	Instructs the Plane	DI-A536Gr 65-45-12
14	Hex Bolt	Carbon Steel Zinc Plated
15	Hex Bolt	Carbon Steel Zinc Plated
16	Hex Nut	Carbon Steel Zinc Plated
17	Target Carrier Nut	ADC12
18	M16 Hex Nut	Carbon Steel Zinc Plated
19	M16 Hex Bolt	Carbon Steel Zinc Plated
20	Stem 1" Square	Carbon Steel AISI 1045
21	Cotter Pin	AISI 304
22	Socket	DI-A536Gr 65-45-12



PROJECT	APPROVAL STAMP
PROJECT:	<input type="checkbox"/> APPROVED
ADDRESS:	<input type="checkbox"/> APPROVED AS NOTED
ENGINEER:	<input type="checkbox"/> NOT APPROVED
SUBMITTAL DATA:	REMARKS:
NOTES 1:	
NOTES 2:	