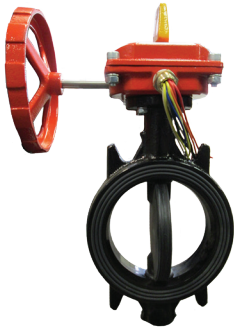


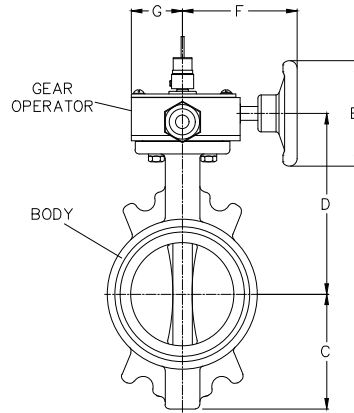
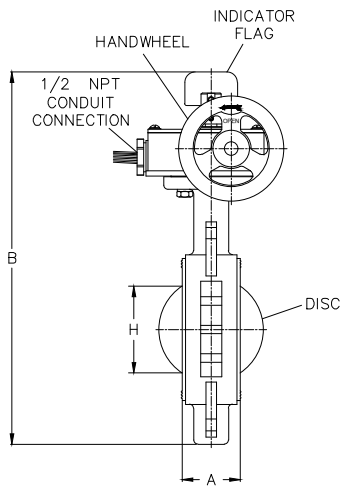
WAFER BUTTERFLY VALVE W/TAMPER

MODEL LVWBG



FEATURES:

- Grooved Butterfly Valves equipped with pre-wired tamper switches
- 2½" - 8" 300 psi
- 10" & 12" 175 psi
- Rated for indoor & outdoor use
- Flag type position indicator
- Double Tamper Switch
- DI body encapsulated with a corrosion Resistant durable polymer coating to ensure a long service life
- Disc is EPDM coated with SS stem for long service life
- Manufactured by Viatech exclusively for Lansdale Valve and Manufacturing



MATERIAL LIST			
NO.	DESCRIPTION	MATERIAL	SPECIFICATION
1	Body	Iron	ASTM A536
2	Disc	Rubber	EPDM
3	Gear Operator	Iron	ASTM A536
4	Handwheel	Iron	ASTM A536
5	Indicator Flag	Nickel	ASTM A619

NOMINAL INSTALLATION DIMENSIONS (In.)									
NOMINAL VALVE SIZE INCHES (DN)	A	B	C	D	E	F	G	H	WT (LBS)
2	1.50	10.63	2.85	4.90	4.92	4.28	1.99	1.40	11.46
2½	1.81	11.67	3.35	5.45	4.92	4.28	1.99	1.65	13.4
3	1.81	12.27	3.58	5.81	4.92	4.28	1.99	2.34	14.77
4	2.16	13.92	4.29	6.75	4.92	4.28	1.99	3.25	15.65
5	2.4	16	5.16	7.93	5.91	5.79	2.23	4	26.68
6	2.4	17.07	5.71	8.44	5.91	5.79	2.32	5.22	25.35
8	2.48	19.63	6.69	9.29	8.86	8.19	2.76	7.3	44.75
10	3.03	23.01	8.27	11.1	11.14	8.19	2.91	9.05	64.6
12	3.15	25.16	9.5	12.2	11.14	8.19	2.91	11.53	86.42

PROJECT	APPROVAL STAMP
PROJECT:	<input type="checkbox"/> APPROVED
ADDRESS:	<input type="checkbox"/> APPROVED AS NOTED
ENGINEER:	<input type="checkbox"/> NOT APPROVED
SUBMITTAL DATA:	REMARKS:
NOTES 1:	
NOTES 2:	