

# VERTICAL INDICATOR POST

## MODEL LVVIP



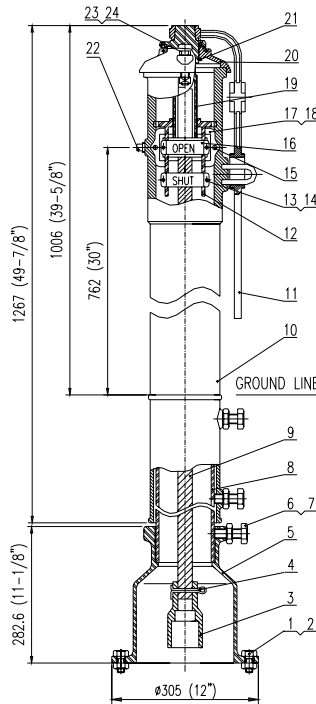
### FEATURES:

Vertical Indicator Post indicates if valve is in the open or shut position. The indicator post creates a way to operate a buried/inaccessible valve. Indicator post's adjustment range reaches 34.5" and can be easily adjusted on site. The wrench handle fits over a "U" bracket on the barrel, and may be fixed with a padlock to secure the operating wrench to the barrel. Ability to open left or right. UL Listed/FM Approved. Internally and externally red epoxy coated RAL3000 for corrosion protection.

### FIELD ADJUSTMENT:

- Remove the top section of the upper barrel of the indicator post
- Cut the stem to the required length and adjust the standpipe to match up to the GROUNDLINE
- Set the OPEN and SHUT targets for the appropriate valve size
- Re-attach the top section of the upper barrel of the indicator post

Order Length	Min.	Max.
A	18.25"	39.50"
B	36.00"	60.50"
C	57.00"	81.50"
D	78.00"	102.50"
E	99.00"	123.50"
F	120.00"	144.50"
G	148.50"	168.00"



NO.	PART	MATERIAL
1	Hex Cap Screw	Carbon Stee IASTMA307B
2	Hex Nut	Carbon Steel ASTMA307B
3	Crane Coupling	Ductile Iron ASTMA536Gr.65-45-12
4	Cotter Pin	Stainless Steel AISI304
5	Base Flange	Cast Iron ASTMA 126 Class B
6	Hex Nut	Carbon Steel ASTMA 307B
7	Hex Cap Screw	Carbon Steel ASTMA 307B
8	Standpipe	Carbon Steel ASTMA53
9	Stem 1 Square	Carbon Steel AISI1045
10	Body	Cast Iron ASTMA126 Class B
11	Locking Wrench	Ductile Iron ASTMA 536 Gr.65-45-12
12	Target Carrier Nut	Stainless Steel AISI304
13	Hex Cap Screw	Carbon Stee IASTMA307B
14	Hex Nut	Carbon Steel ASTMA307B
15	Hex Cap Screw	Carbon Steel ASTMA307B
16	Target	Cast Aluminum
17	Window Glass	Plexiglass
18	Gasket	PTFE
19	Operating Nut	Bronze ASTMB62C83600
20	Top Section	Cast Iron ASTMA126 Class B
21	Snap Ring	Stainless Steel AISI1066
22	Plug	Malleable Iron
23	Square Nut	Carbon Steel ASTMA307B
24	Hex Cap Screw	Carbon Steel ASTMA307B

PROJECT	APPROVAL STAMP
PROJECT:	<input type="checkbox"/> APPROVED
ADDRESS:	<input type="checkbox"/> APPROVED AS NOTED
ENGINEER:	<input type="checkbox"/> NOT APPROVED
SUBMITTAL DATA:	REMARKS:
NOTES 1:	
NOTES 2:	