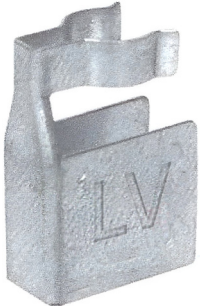


UNIVERSAL SURGE RESTRAINT FOR 3/4"-2" PIPE

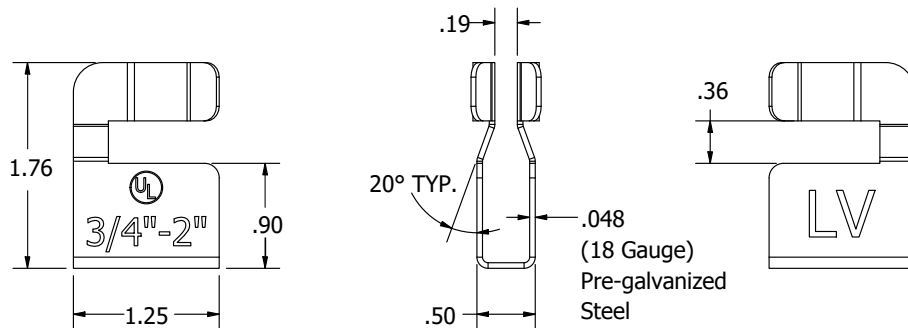
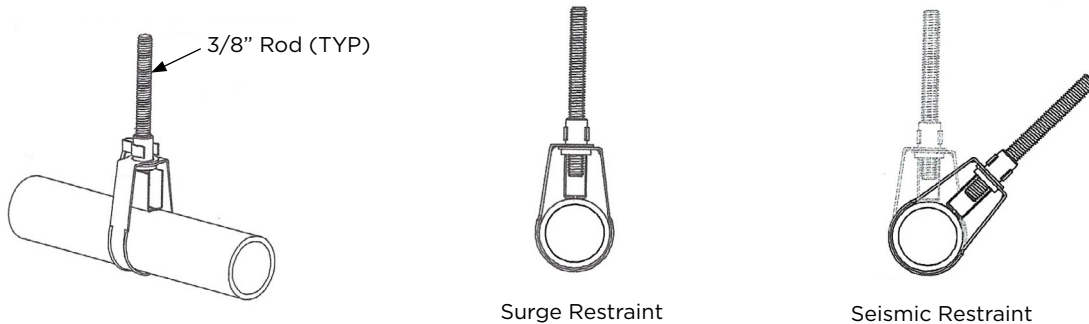
MODEL LV-SD



DESCRIPTION:

The Lansdale Surge Restrainer, Model LV-SD prevents the vertical movement of horizontal sprinkler pipe due to the load imposed by the activation of a sprinkler head. This is especially important when dealing with a CPVC fire sprinkler system, which will prevent the rod from possibly puncturing the CPVC pipe. This surge restraint is fabricated from 18 Gauge pre-galvanized steel and is intended to be used with a UL/FM Listed and Approved, swivel ring hanger such as the Lansdale Model LVRH or LV-RH. This surge restraint can also be used as part of a seismic restraint assembly in accordance with NFPA13 requirements (see illustration below).

The Lansdale Surge Restrainer can easily be installed, on existing sprinkler system piping, by snapping it onto the knurled nut on the ring hanger, and making sure that the gap between the surge restraint and the pipe is 1/2" or less. NFPA 13 hanging requirements must be followed when installing this item.



PROJECT		APPROVAL STAMP
PROJECT:		<input type="checkbox"/> APPROVED
ADDRESS:		<input type="checkbox"/> APPROVED AS NOTED
ENGINEER:		<input type="checkbox"/> NOT APPROVED
SUBMITTAL DATA:		REMARKS:
NOTES 1:		
NOTES 2:		