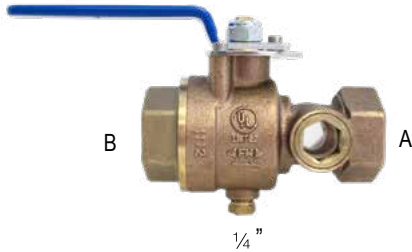


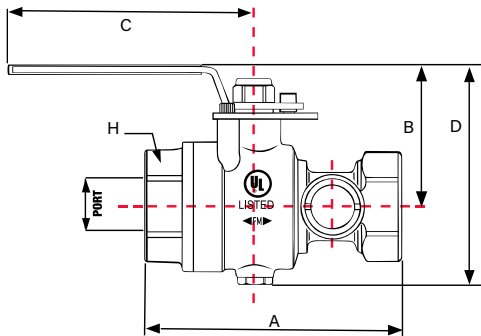
TEST & DRAIN VALVE

MODEL LV1

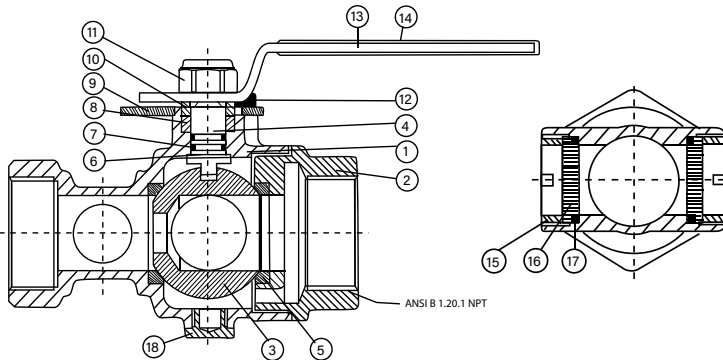


FEATURES:

- Female NPT Inlet and Outlet
- Rated 300 PSI/ Tested to 1500 PSI
- Forged Brass Body
- Chrome Plated Brass Ball w/ Teflon Seats
- Integral 2-way sight glass
- Manufactured in accordance with NFPA 13, 13R, 13D
- Threads to ASME B1.20.01



Size	A/B (Orifice)	C (Plug)	Port	A	B	C	D	H
1"	(1/2")	1/4"	1 1/16"	5 1/32"	2 43/64"	5 27/64"	4 27/64"	2"
1 1/4"	(1/2")	1/4"	1 1/16"	5 1/32"	2 43/64"	5 27/64"	4 27/64"	2"
1 1/2"	(1/2")	NA	1 3/4"	6.811"	5"	6.811"	5"	3"
2"	(1/2")	NA	1 3/4"	6.811"	5"	6.811"	5"	3"



	PART	MATERIAL ASMQ	QTY
1	Body	Bronze B62	1
2	Body Cap	Forged Brass C37700	1
3	Ball	Brass B16/C37700	1
4	Stem	Brass B16	1
5	Seat	PTFE	2
6	Thrust Washer	PTFE	1
7	O-Ring	BR D2000	2
8	Gland Packing	PFTE	1
9	Indicator Plate	Steel	1
10	Gland	Brass B16	1
11	Nut	Steel	1
12	Stop Screw	Stainless Steel	2
13	Lever	Steel	1
14	Handle Cover	PVC Vinyl	1
15	Retaining Ring	Brass B16	2
16	Washer	Acrylic	2
17	O-Ring	NBR D2000	2
18	Cap Plug	Brass B16	1

PROJECT	APPROVAL STAMP
PROJECT:	<input type="checkbox"/> APPROVED
ADDRESS:	<input type="checkbox"/> APPROVED AS NOTED
ENGINEER:	<input type="checkbox"/> NOT APPROVED
SUBMITTAL DATA:	REMARKS:
NOTES 1:	
NOTES 2:	