



# T-HEAD BOLT AND NUT - CORTEN, STAINLESS STEEL 304, STAINLESS STEEL 316, BLUE

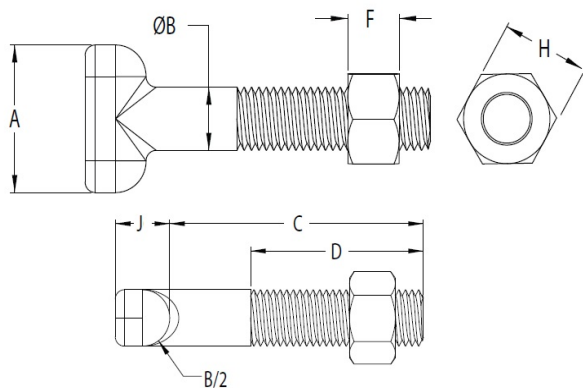
MODEL LVTHB



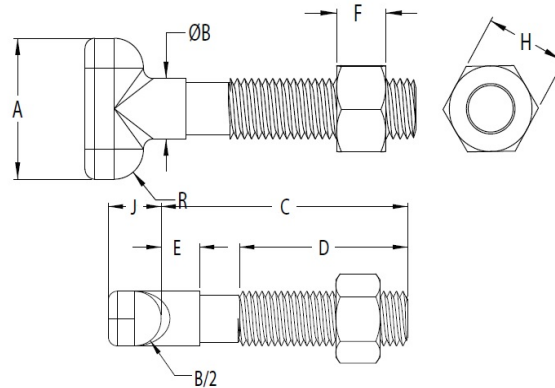
## FEATURES:

- Corten T-head Bolts conform to ANSI B18.2.1 and Standard AWWA C111/ANSI A21.11
- Blue ASTM A242 T-head bolt have Xylan 1424 finish and conform to ANSI/AWWA C111/A21.11-07
- Stainless Steel T-Bolts conform to ANSI B18.2.1 and ASTM F593 Type 304 & 316
- Stainless Steel Heavy Hex Nuts are xylan coated and per ANSI B18.2.2 and conform to ASTM F594 Type 304 & 316

### T-BOLTS



### ANTI-ROTATION T-BOLTS



| NOMINAL SIZE (In.) | A    | B     | C    | D    | THREADS PER IN. | E (ANTI-ROTATION) | F     | H     | J     | R     |
|--------------------|------|-------|------|------|-----------------|-------------------|-------|-------|-------|-------|
| 5/8 x 3            | 1.50 | 0.625 | 3.00 | 2.00 | 11              | 0.63              | 0.625 | 1.062 | 0.625 | 0.312 |
| 5/8 x 3-1/2        | 1.50 | 0.625 | 3.50 | 2.70 | 11              | 0.63              | 0.625 | 1.062 | 0.625 | 0.312 |
| 3/4 x 3-1/2        | 1.75 | 0.750 | 3.50 | 2.50 | 10              | 0.63              | 0.750 | 1.250 | 0.750 | 0.375 |
| 3/4 x 4            | 1.75 | 0.750 | 4.00 | 3.00 | 10              | 0.63              | 0.750 | 1.250 | 0.750 | 0.375 |
| 3/4 x 4-1/2        | 1.75 | 0.750 | 4.50 | 3.00 | 10              | 0.63              | 0.750 | 1.250 | 0.750 | 0.375 |
| 3/4 x 5            | 1.75 | 0.750 | 5.00 | 3.00 | 10              | 0.63              | 0.750 | 1.250 | 0.750 | 0.375 |
| 3/4 x 6            | 1.75 | 0.750 | 6.00 | 4.00 | 10              | N/A               | 0.750 | 1.250 | 0.750 | 0.375 |
| 3/4 x 7            | 1.75 | 0.750 | 7.00 | 6.00 | 10              | N/A               | 0.750 | 1.250 | 0.750 | 0.375 |
| 3/4 x 9            | 1.75 | 0.750 | 9.00 | 8.00 | 10              | N/A               | 0.750 | 1.250 | 0.750 | 0.375 |
| 1 x 6              | 2.25 | 1.000 | 6.00 | 3.00 | 8               | N/A               | 1.000 | 1.625 | 1.000 | 0.500 |
| 1 x 6-1/2          | 2.25 | 1.000 | 6.50 | 3.50 | 8               | N/A               | 1.000 | 1.625 | 1.000 | 0.500 |
| 1-1/4 x 6-1/2      | 2.50 | 1.250 | 6.50 | 3.50 | 7               | N/A               | 1.250 | 2.000 | 1.250 | 0.625 |
| 1-1/4 x 8-1/2      | 2.50 | 1.250 | 8.50 | 3.50 | 7               | N/A               | 1.250 | 2.000 | 1.250 | 0.625 |



**T-HEAD BOLT AND NUT - CORTEN,  
STAINLESS STEEL 304, STAINLESS  
STEEL 316, BLUE**

MODEL LVTHB

| MINIMUM PROOF TEST FOR TEE-HEAD BOLTS |        |         |
|---------------------------------------|--------|---------|
| BOLT SIZE (In.)                       | LOAD   |         |
|                                       | lbf    | (kN)    |
| 5/8                                   | 9,000  | (40)    |
| 3/4                                   | 13,500 | (60)    |
| 1                                     | 25,000 | (111.2) |
| 1-1/4                                 | 40,000 | (177.9) |

| MINIMUM CHARACTERISTIC VALUES FOR STEEL TEE-HEAD BOLTS |                |              |
|--|----------------|--------------|
| CHARACTERISTIC   | REQUIRED VALUE | ACTUAL VALUE |
| Minimum yield strength-psi                             | 45,000         | 57,000       |
| Minimum elongation in 2 in. (50.8 mm)                  | 20%            | 28%          |
| MAXIMUM CONTENT-PERCENT %                              |                |              |
| Carbon   | 0.20           | 0.08         |
| Manganese  | 1.25           | 0.55         |
| Sulfur   | 0.05           | 0.01         |
| MINIMUM CONTENT-PERCENT %                              |                |              |
| Nickel   | 0.25           | 0.27         |
| Copper   | 0.20           | 0.32         |
| Combined (Ni,Cu,Cr)                                    | 1.25           | 1.32         |

| PROJECT         | APPROVAL STAMP                             |
|-----------------|--|
| PROJECT:        | <input type="checkbox"/> APPROVED          |
| ADDRESS:        | <input type="checkbox"/> APPROVED AS NOTED |
| ENGINEER:       | <input type="checkbox"/> NOT APPROVED      |
| SUBMITTAL DATA: | REMARKS:                                   |
| NOTES 1:        |  |
| NOTES 2:        |  |
|                 |  |