

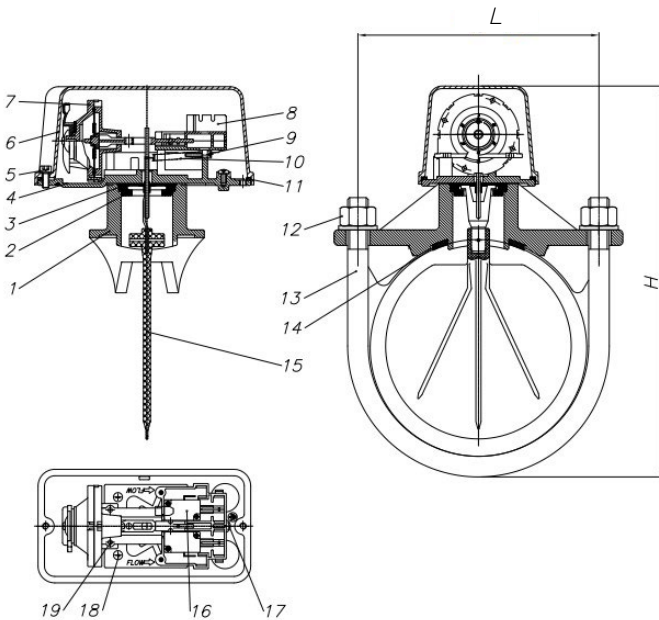


DESCRIPTION:

The Lansdale Valve & Manufacturing "System Detective" Waterflow switch is intended for use on Fire Sprinkler Systems. It is UL Listed and FM approved for steel pipe schedules 10 through 40 sizes 2" -8".

FEATURES:

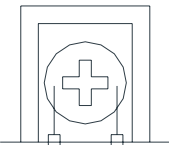
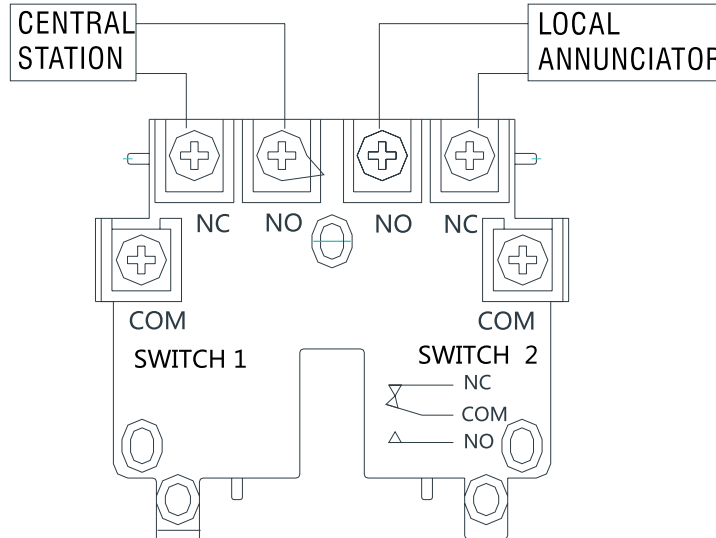
- Designed for both indoor and outdoor use
- Can be mounted in a vertical or horizontal position
- Easy to adjust retard mechanism
- Plastic directional cover for easy inspection of direction of flow and added durability
- Equipped with tamper resistant screw to prevent unauthorized entry
- Two synchronized switches are enclosed in a durable terminal block
- Two openings for 1/2" conduit for easy wiring
- 450 PSI working pressure
- Operating temperature 32°F to 154°F
- Operational at a flow rate of 4-10 GPM



MATERIAL SPECIFICATIONS			
NO.	PART	MATERIAL	ASTM SPEC.
1	Saddle	Aluminum Alloy	B85 A04130
2	Gasket	Plastic POM	
3	Holder	Stainless Steel and Rubber	A276 Type 304+ EPDM
4	Plate	Aluminum Alloy	B85 A04130
5	Screw	Carbon Steel	A307 Grade B
6	Cover	Plastic	
7	Retard Chamber	Assembly	
8	Terminal Box	Nylon	
9	Screw	Carbon Steel	A307 Grade B
10	Spring	Stainless Steel	A276 Type 304
11	Gasket	Rubber	D2000 EPDM
12	Nut	Carbon Steel	A307 Grade B
13	U-bolt	Carbon Steel	A307 Grade B
14	Saddle Gasket	Rubber	D2000 EPDM
15	Vane	Plastic PE	
16	Micro Switch	Lema KW-7-0	
17	Screw	Carbon Steel	A307 Grade B
18	Bolt	Carbon Steel	A307 Grade B
19	Screw	Carbon Steel	A307 Grade B

DIMENSIONS/(In.) BOLT ON							
Size	2	2.5	3	4	5	6	8
L	3.31	3.62	4.09	5.24	6.29	7.36	9.41
H	7.48	7.87	8.66	9.65	10.63	11.8	13.78
Normal Pipe Sized OD	2.37	2.87	3.5	4.5	5.56	6.63	8.63
Pipe Wall Thickness	.12-.15	.12-.2	.12-.22	.12-.24	.13-.26	.13-.28	.15-.32

TYPICAL CONNECTIONS



OUTGOING ← → **INCOMING**

An uninsulated section of a single conductor should not be looped around the terminal and serve as two separate connections

PROJECT	APPROVAL STAMP
PROJECT:	<input type="checkbox"/> APPROVED
ADDRESS:	<input type="checkbox"/> APPROVED AS NOTED
ENGINEER:	<input type="checkbox"/> NOT APPROVED
SUBMITTAL DATA:	REMARKS:
NOTES 1:	
NOTES 2:	

SYSTEM DETECTIVE WATERFLOW

MODEL LVWFT (1-2" - THREADED)

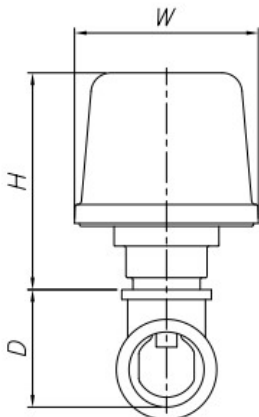
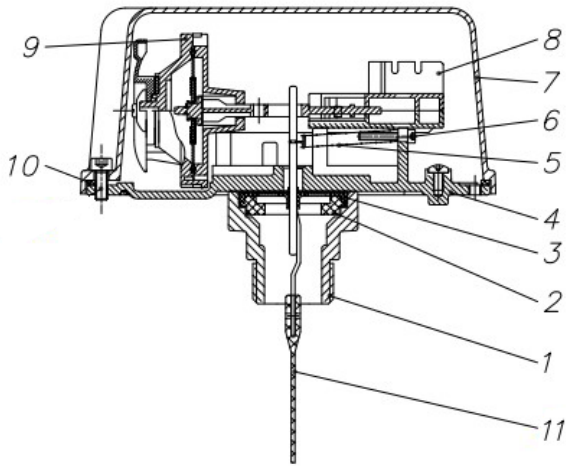


DESCRIPTION:

The Lansdale Valve & Manufacturing "System Detective" Waterflow switch is intended for use on Fire Sprinkler Systems. It is UL Listed and FM approved for steel pipe schedules 10 through 40 sizes 1"- 2".

FEATURES:

- Designed for both indoor and outdoor use
- Can be mounted in a vertical or horizontal position
- Easy to adjust retard mechanism
- Plastic directional cover for easy inspection of direction of flow and added durability
- Equipped with tamper resistant screw to prevent unauthorized entry
- Two synchronized switches are enclosed in a durable terminal block
- Two openings for 1/2" conduit for easy wiring
- 450 PSI working pressure
- Operating temperature 32°F to 154°F
- Operational at a flow rate of 4-10 GPM



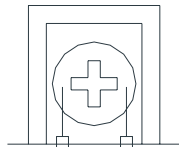
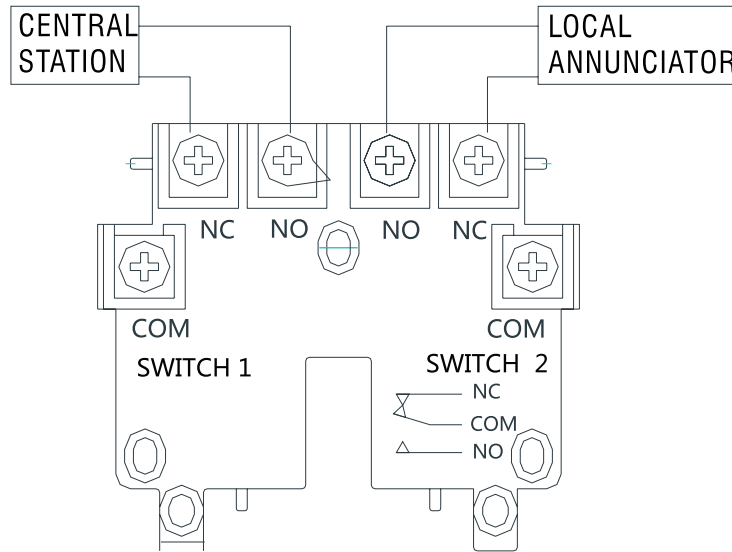
MATERIAL SPECIFICATIONS

NO.	PART	MATERIAL	ASTM SPEC.
1	Saddle	Bronze	B148 C95200
2	Gasket	Plastic POM	
3	Holder	Stainless Steel and Rubber	A276 Type 304+ EPDM
4	Plate	Aluminum Alloy	B85 A04130
5	Spring	Stainless Steel	A276 Type 304
6	Screw	Carbon Steel	A307 Grade B
7	Cover	Plastic	
8	Terminal Box	Nylon	
9	Retard Chamber	Assembly	
10	Gasket	Rubber	D2000 EPDM
11	Vane	Plastic PE	

DIMENSIONS/INCHES

SIZE	1	1-1/4	1-1/2	2
W	3.67	3.67	3.67	3.67
H	6.46	6.79	7.05	7.56
D	2.12	2.46	2.71	3.22

TYPICAL CONNECTIONS



OUTGOING **INCOMING**

An uninsulated section of a single conductor should not be looped around the terminal and serve as two separate connections

PROJECT	APPROVAL STAMP
PROJECT:	<input type="checkbox"/> APPROVED
ADDRESS:	<input type="checkbox"/> APPROVED AS NOTED
ENGINEER:	<input type="checkbox"/> NOT APPROVED
SUBMITTAL DATA:	REMARKS:
NOTES 1:	
NOTES 2:	