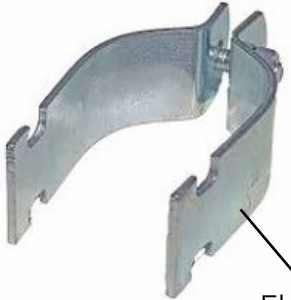


STRUT CLAMP

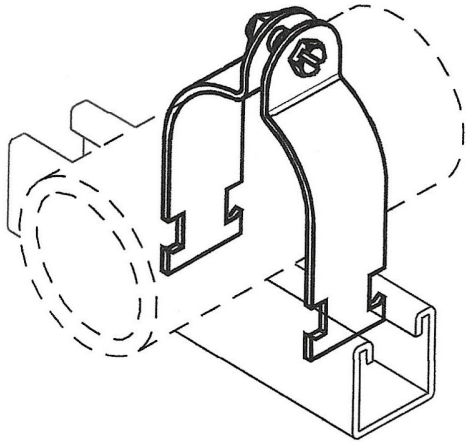
MODEL LVHSTC



Electro Galvanized

FEATURES:

Designed to fit standard 1-5/8" strut channel to support runs of piping where needed.



Pipe Size (In.) NPS	Pipe OD	Max. REC Load (Lbs.)	Weight Ea. (Lbs.)
1/2	0.84	400	0.10
3/4	1.050	600	0.15
1	1.315	600	0.17
1-1/4	1.660	600	0.18
1-1/2	1.900	800	0.29
2	2.375	800	0.34
2-1/2	2.875	800	0.40
3	3.500	800	0.47
4	4.500	1000	0.67
5	5.563	1000	0.80
6	6.625	1000	1.02

PROJECT	APPROVAL STAMP
PROJECT:	<input type="checkbox"/> APPROVED
ADDRESS:	<input type="checkbox"/> APPROVED AS NOTED
ENGINEER:	<input type="checkbox"/> NOT APPROVED
SUBMITTAL DATA:	REMARKS:
NOTES 1:	
NOTES 2:	