

# STEM EXTENSION STANDARD 6"-18'

## MODEL LVSTMEXT



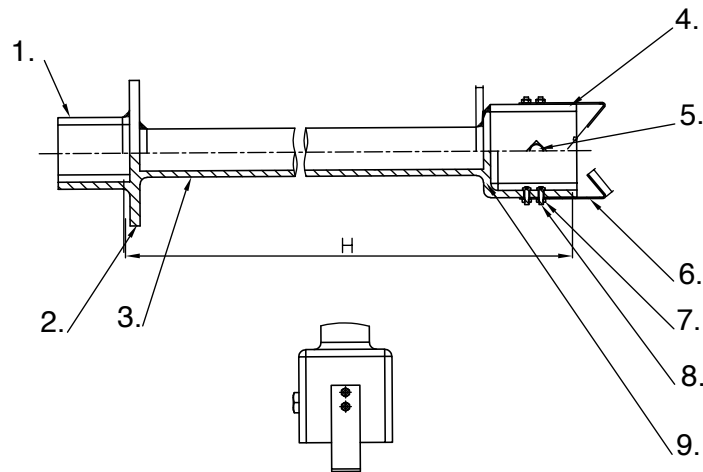
### DESCRIPTION:

Used to raise the elevation of both buried and "in-plant" valves having a 2" square operating nut.

### INSTALLATION:

Place stem over 2" square operating nut and tighten square bolt to secure.

**NOTE:** Surface Finished to NSF/ANSI 61 standard



WATER VALVE EXTENSION STANDARD	
H (In.)	H. (In.)
6	96
12	108
18	120
24	132
30	144
36	156
42	168
48	180
60	192
72	204
84	216

MATERIAL LIST				
NO.	PART	MATERIAL	SPECIFICATION	QTY.
1	Square Tube 2x2	AISI 1045	Carbon Steel	1
2	Steel Plate	AISI 1045	Carbon Steel	1
3	Steel Tube	AISI 1045	Carbon Steel	1
4	Square Tube 2-1/2x2-1/2	AISI 1045	Carbon Steel	1
5	Square Bolt 1/4-20x 0.25	AISI 1020	Carbon Steel Zinc Plated	1
6	Steel Plate	AISI 1045	Carbon Steel	2
7	Nut M3	AISI 1020	Carbon Steel Zinc Plated	4
8	Bolt M3x8	AISI 1020	Carbon Steel Zinc Plated	4
9	Steel Plate	AISI 1045	Carbon Steel	1

PROJECT	APPROVAL STAMP
PROJECT:	<input type="checkbox"/> APPROVED
ADDRESS:	<input type="checkbox"/> APPROVED AS NOTED
ENGINEER:	<input type="checkbox"/> NOT APPROVED
SUBMITTAL DATA:	REMARKS:
NOTES 1:	
NOTES 2:	