

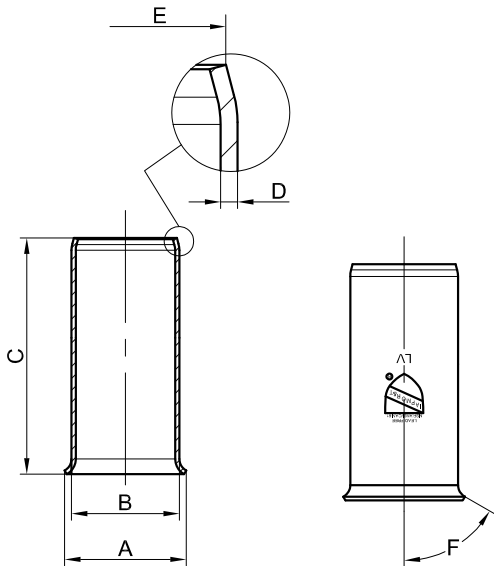
SOLID STAINLESS STEEL TYPE 304 INSERT STIFFENER

MODEL LVISF



FEATURES:

- Material: 304SS
- Certified: NSF/ANSI/CAN 61-2022, NSF/ANSI/CAN 372-202
- Solid, 1 piece design
- Size: 3/4" - 2"
- CTS & IPS



NOMINAL SIZE (In.)	PIPE	A	B	C	D	E	F
3/4	IPS PEP	0.90	0.80	1.75	0.03	0.77	60°
1	IPS PEP	1.22	1.02	1.83	0.03	0.98	60°
1-1/4	IPS PEP	1.48	1.36	3.01	0.04	1.33	20°
1-1/2	IPS PEP	1.72	1.59	3.01	0.04	1.54	30°
2	IPS PEP	2.18	2.04	3.01	0.04	1.97	20°

3/4	CTS PET	0.82	0.65	1.45	0.03	0.59	60°
1	CTS PET	1.06	0.85	1.75	0.03	0.81	60°
1-1/4	CTS PET	1.22	1.02	1.83	0.03	0.98	60°
1-1/2	CTS PET	1.53	1.22	2.14	0.04	1.17	60°
2	CTS PET	2.03	1.59	2.30	0.04	1.52	45°

1	CTS PET/PJ	1.04	0.84	2.13	0.03	0.81	60°
1-1/2	CTS PET/PJ	1.53	1.22	2.55	0.04	1.17	60°
2	CTS PET/PJ	2.03	1.58	2.55	0.04	1.56	45°

PROJECT	APPROVAL STAMP
PROJECT:	<input type="checkbox"/> APPROVED
ADDRESS:	<input type="checkbox"/> APPROVED AS NOTED
ENGINEER:	<input type="checkbox"/> NOT APPROVED
SUBMITTAL DATA:	REMARKS:
NOTES 1:	
NOTES 2:	

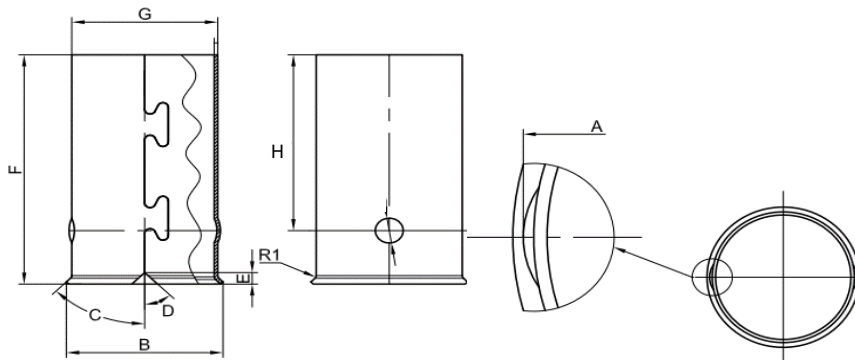
SPLIT STAINLESS STEEL TYPE 304 INSERT STIFFENER

MODEL LVISF



FEATURES:

- Material: 304SS
- Certified: NSF/ANSI/CAN 61-2022, NSF/ANSI/CAN 372-202
- Split design
- Size: 3/4" - 2"
- CTS & IPS



NOMINAL SIZE (In.)	PIPE	A	B	C	D	E	F	G	H
3/4"	IPS PEP	0.83	0.87	45°	45°	0.12	1.80	0.82	1.25
1"	IPS PEP	1.08	1.12	45°	45°	0.12	2.37	1.03	1.82
1-1/4"	IPS PEP	1.39	1.44	45°	45°	0.12	2.36	1.34	1.81
1-1/2"	IPS PEP	1.62	1.67	45°	45°	0.12	2.99	1.57	2.44
2"	IPS PEP	2.07	2.15	45°	45°	0.12	2.99	2.05	2.44
3/4"	CTS PET	0.70	0.78	45°	45°	0.12	1.61	0.66	1.06
1"	CTS PET	0.89	1.00	45°	45°	0.12	1.74	0.85	1.19
1-1/4"	CTS PET/QJ	1.08	1.12	45°	45°	0.12	2.03	1.03	1.48
1-1/2"	CTS PET	1.27	1.32	45°	45°	0.12	2.99	1.22	2.44
2"	CTS PET	1.66	1.69	45°	45°	0.12	2.99	1.59	2.44

PROJECT	APPROVAL STAMP
PROJECT:	<input type="checkbox"/> APPROVED
ADDRESS:	<input type="checkbox"/> APPROVED AS NOTED
ENGINEER:	<input type="checkbox"/> NOT APPROVED
SUBMITTAL DATA:	REMARKS:
NOTES 1:	
NOTES 2:	