

FDC SINGLE OUTLET

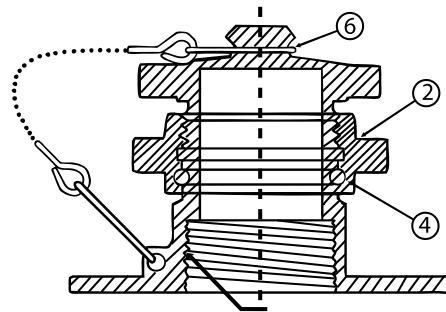
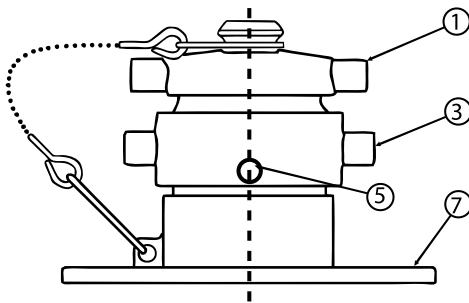
MODEL LVFDCSO



FEATURES:

Ideal for residential sprinkler system. Each kit contains one open snoot, IPS brass wall plate (AUTO SPRINKLER) and a plug and chain, boxed and labeled.

- **FINISH:** Cast Brass
- 1½", 2½", 3" NPT Female Outlet
- Optional-Polished Brass/Chrome
- Specify optional thread



MATERIAL LIST		
NUMBER	DESCRIPTION	MATERIAL
1	1½", 2½", 3" NST Plug	Cast Brass
2	Washer	Rubber
3	Coupling Nut	Cast Brass
4	Ball	Steel
5	Set Screw	Brass
6	Chain	Brass
7	Body	Cast Brass

PROJECT	APPROVAL STAMP
PROJECT:	<input type="checkbox"/> APPROVED
ADDRESS:	<input type="checkbox"/> APPROVED AS NOTED
ENGINEER:	<input type="checkbox"/> NOT APPROVED
SUBMITTAL DATA:	REMARKS:
NOTES 1:	
NOTES 2:	