

STEM EXTENSION SS

MODEL LVSTMEXT



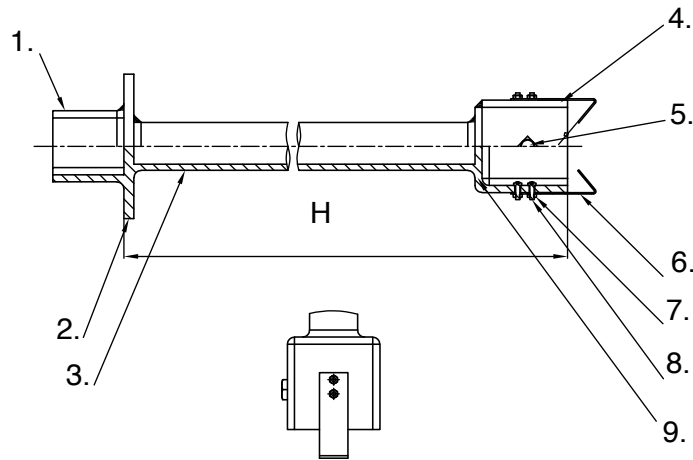
DESCRIPTION:

Used to raise the elevation of both buried and “in-plant” valves having a 2” square operating nut.

INSTALLATION:

Place stem over 2” square operating nut and tighten square bolt to secure.

NOTE: Surface Finished to NSF/ANSI 61 standard



STEM EXTENSION SS
H. (In.)
12
36
48
60
72
84
96
120

MATERIAL LIST				
NO.	PART	MATERIAL	SPECIFICATION	QTY.
1	Square Tube 2x2	SS 304	Stainless Steel	1
2	Steel Plate	SS 304	Stainless Steel	1
3	Steel Tube	SS 304	Stainless Steel	1
4	Square Tube 2-1/2 x 2-1/2	SS 304	Stainless Steel	1
5	Square Bolt 1/4-20 x 0.25	SS 304	Stainless Steel	1
6	Steel Plate	SS 304	Stainless Steel	1
7	Nut M3	SS 304	Stainless Steel	1
8	Bolt M3x8	SS 304	Stainless Steel	1
9	Steel Plate	SS 304	Stainless Steel	1

PROJECT	APPROVAL STAMP
PROJECT:	<input type="checkbox"/> APPROVED
ADDRESS:	<input type="checkbox"/> APPROVED AS NOTED
ENGINEER:	<input type="checkbox"/> NOT APPROVED
SUBMITTAL DATA:	REMARKS:
NOTES 1:	
NOTES 2:	