

LANSDALE

VALVE & MANUFACTURING

1040 Broadway Westville, NJ 08093 / Phone: (800) 908-0523 / Fax: (856) 456-9223 / www.gemfiresprinkler.com

PURLIN CLAMP

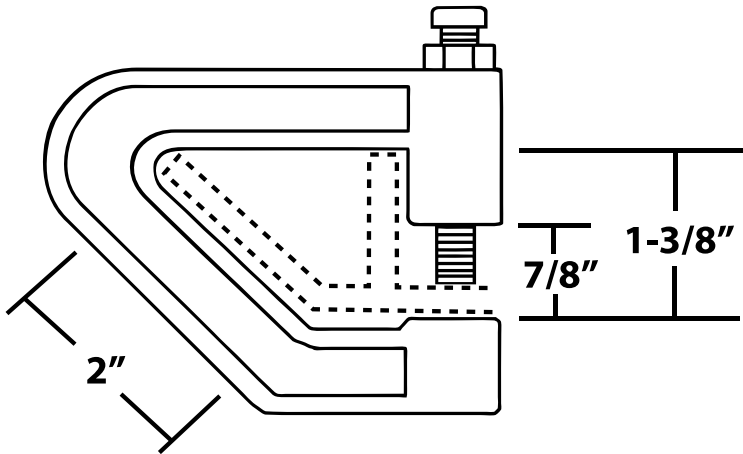


Model Number: 500-400-00200

- UL listed. Complies with Federal Spec.
- WW-H-171e type 23 and Manufacturers Standardization Society SP 69 & SP 58 Type

Installation Instruction:

A Hex Nut is provided for tightening adjustment purpose.



Rod Size	Max Pipe Size	Max Rec. Load/lbs
3/8"	4"	400

PURLIN CLAMP	
MATERIAL	Malleable Iron
Material Standard	ASTM A47 Grade 32510
Surface Finish	290P#-Plain
Bolt Thread (with carburization hardening steel screw and nut)	3/8" UNC

PROJECT	APPROVAL STAMP
PROJECT:	<input type="checkbox"/> APPROVED
ADDRESS:	<input type="checkbox"/> APPROVED AS NOTED
ENGINEER:	<input type="checkbox"/> NOT APPROVED
SUBMITTAL DATA:	REMARKS:
NOTES 1:	
NOTES 2:	