

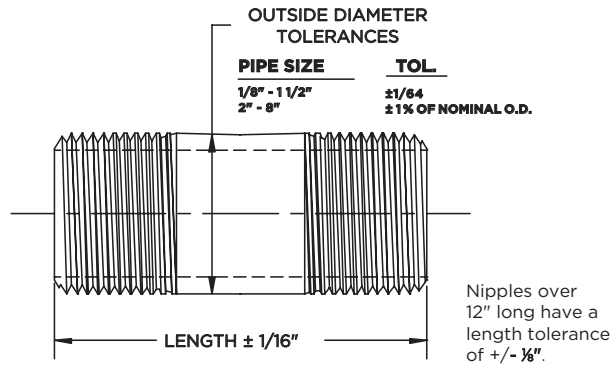
PIPE NIPPLES

MODEL LVWPN



FEATURES:

- **Dimensions:** ASTM A733 (See table below for standard sizes)
- **Threads:** NPT per ASME B1.20.1
- **Material:** ASTM A53, Sch 40 welded steel pipe or Schedule 80 (XH)
- **Available:** TxT, TxG, GxG, GxPE, TxPE*
- **Finish:** Black, or hot dip galvanized (as indicated)



Note: Ready cut Black Nipples available 1/4" to 4" up to 72" long
Galv. - 1/4" to 4" and 6" to 72" long

*PE can be square cut or beveled

PIPE SIZE (In.)	PIPE O.D.	C L (In.)	PIPE LENGTH (In.)															
			1-1/2	2	2-1/2	3	3-1/2	4	4-1/2	5	5-1/2	6	7	8	9	10	11	12
1/8*	0.405	3/4																
1/4*	0.540	7/8																
3/8*	0.675	1																
1/2*	0.840	1-1/8																
3/4*	1.050	1-3/8																
1*	1.315	1-1/2																
1-1/4*	1.660	1-5/8																
1-1/2*	1.900	1-3/4																
2*	2.375	2																
2*	2.875	2-1/2																
3*	3.500																	
3-1/2*	4.000	2-3/4																
4*	4.500	2-7/8																
5	5.563	3																
6	6.625	3-1/8																

* AVAILABLE HDG

PROJECT	APPROVAL STAMP
PROJECT:	<input type="checkbox"/> APPROVED
ADDRESS:	<input type="checkbox"/> APPROVED AS NOTED
ENGINEER:	<input type="checkbox"/> NOT APPROVED
SUBMITTAL DATA:	REMARKS:
NOTES 1:	
NOTES 2:	