



# OS&Y TAMPER SWITCH

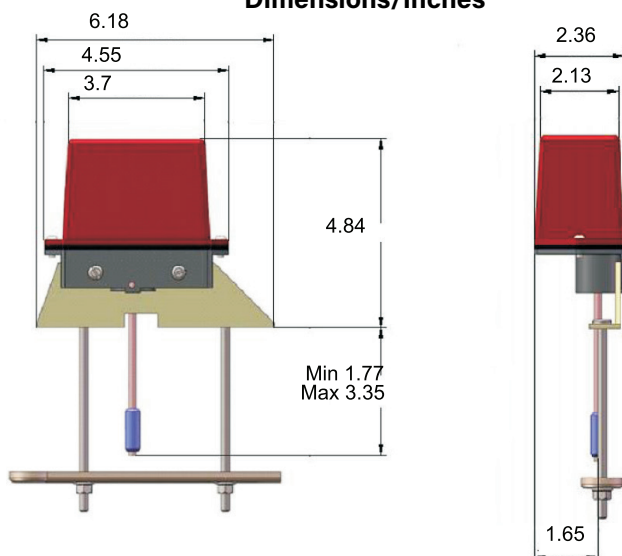
MODEL LVSS



## FEATURES:

- **Weight:** 1.32 lbs
- **Temperature Rating:** -40°F - 140°F
- **Enclosure:**
  - Cover:** Die Cast
  - Finish:** Red Powder Coat
  - Base:** Die Cast
  - All parts have corrosion resistant finishes
- **Cover Tamper:**
  - Tamper Resistant Screws
  - Cover Tamper Switch Available
  - 33amps/5amps at 125/250VAC
- **Contact Ratings:**
  - Two sets of SPDT
  - 10amps at 125/250VAC. 2.5 Amps 30VDC resistive
- **Conduit Entrances:** One knockout and one hole for 1/2" conduit provided
- UL/ULC Listed/FM Approved

## Dimensions/Inches



PROJECT	APPROVAL STAMP
PROJECT:	<input type="checkbox"/> APPROVED
ADDRESS:	<input type="checkbox"/> APPROVED AS NOTED
ENGINEER:	<input type="checkbox"/> NOT APPROVED
SUBMITTAL DATA:	REMARKS:
NOTES 1:	
NOTES 2:	