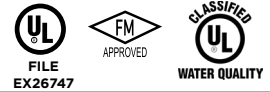


NRS RESILIENT SEATED GATE VALVE with FLANGED ENDS

MODEL LVPIVFF



DESCRIPTION:

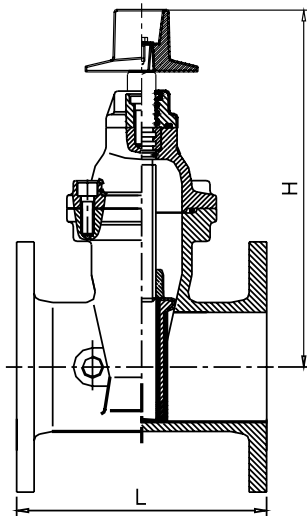
The Lansdale NRS Resilient Seated Gate Valve with Flanged Ends, Model LVPIVFF* is used as a control valve for on/off applications. This is a non-rising stem (NRS) valve that is most often used underground and is operated by a 2" operating nut, usually in conjunction with a Wall or Post indicator.

- Valves comply with AWWA C515-15 standard
- Non-rising stem, resilient seated (EDPM encapsulated wedge)
- Triple O-Ring seal
- Post indicator valves provided with universal "Indicator Post Plate"
- Mechanical joint ends to AWWA C153 /A21.53 standard
- Available open right, please specify
- Flanged ends to ANSI B16.1, Class 125/150
- UL Listed/FM Approved at 300 PSI water working pressure rating
- NSF/ANSI/CAN 61 certified as lead-free for use in drinking water systems
- Temperature range: 33° F to 170° F
- Fusion bonded epoxy coated interior and exterior to AWWA C550 standard
- Flanged valves available with handwheel or operating nut
- Refer to Lansdale O&M manual for further info and installation instruction

Available with MJ and grooved connections including: MJxMJ; GxG; FLxMJ;

INSTALLATION:

Refer to Lansdales' O&M manual for further information and installation instructions.



DIMENSIONS (in.)							
SIZE	3	4	5	6	8	10	12
L	8	9	10	10 1/2	11 1/2	13	14
H	11 5/8	13 3/4	6 7/8	17 15/16	21 7/16	25 3/8	28 3/4
WT. (LBS.)	41	64	79	103	161	235	339

MATERIAL SPECIFICATIONS		
PART NAME	MATERIAL	ASTM. SPEC.
Body	Ductile Iron	A536 65-45-12
Wedge	Ductile Iron	EPDM Encapsulated
Wedge Nut	Bronze	B62 C83600
Stem	Stainless Steel	AISI 304
Bonnet	Ductile Iron	A536 65-45-12
Gasket	Rubber	EPDM
Gland	Ductile Iron	A536 65-45-12
Thrust Collar	Bronze	B62 C83600
O-Ring	Rubber	EPDM
Post Flange	Ductile Iron	A536 65-45-12
Operating Nut	Ductile Iron	A536 65-45-12
NPT Plug	Bronze	Commercial
Post Flange	Bolt	Stainless Steel AISI 316
Bonnet Bolt	Stainless Steel	AISI 304

PROJECT	APPROVAL STAMP
PROJECT:	<input type="checkbox"/> APPROVED
ADDRESS:	<input type="checkbox"/> APPROVED AS NOTED
ENGINEER:	<input type="checkbox"/> NOT APPROVED
SUBMITTAL DATA:	REMARKS:
NOTES 1:	
NOTES 2:	