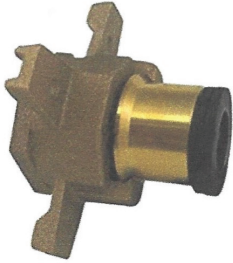


METER YOKE EXPANDER

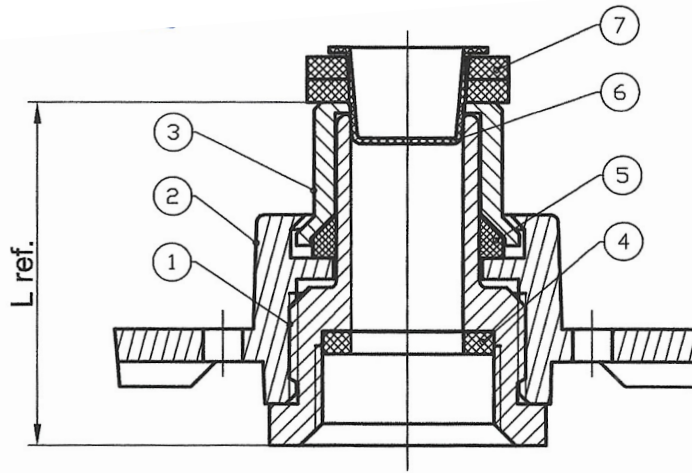
MODEL LVMYEXP



FEATURES:

To be installed in a cast iron yoke at meter setter assembly.

- Made from Lead Free Brass
- Comes complete with rubber nose gasket and 2 rubber yoke end gaskets



DIMENSIONS		
P/N	L (REF.)	SIZE
200-225-00410	1.89	5/8" Yoke Expander
200-225-00420	2.12	3/4" Yoke Expander
200-225-00430	2.53	1" Yoke Expander

MATERIAL SPECIFICATIONS		
NO.	PART	MATERIAL
1	Meter Adapter	C89833
2	Adjusting Nut	C83600
3	Ext. Cap	C89833
4	Gasket	Non-Asbestos
5	Nose Piece Gasket	EPDM
6	Plug	PE
7	End piece Gasket	EPDM

PROJECT	APPROVAL STAMP
PROJECT:	<input type="checkbox"/> APPROVED
ADDRESS:	<input type="checkbox"/> APPROVED AS NOTED
ENGINEER:	<input type="checkbox"/> NOT APPROVED
SUBMITTAL DATA:	REMARKS:
NOTES 1:	
NOTES 2:	