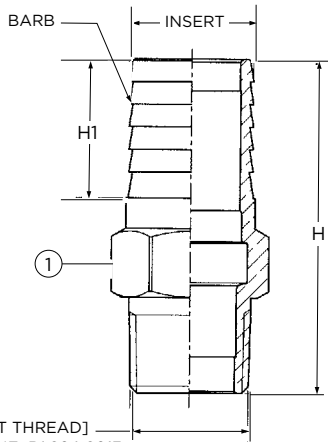
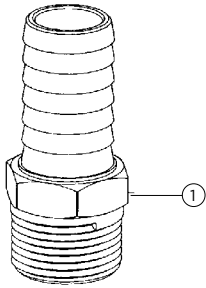


LEAD-FREE BRONZE INSERT MIP ADAPTER MODEL LVIFMANL



FEATURES:

- Complies with NSF/ANSI 372-2010
- For use with Polyethylene ASTM D2662 SIDR 7, Polyethylene ASTM D2239 SIDR 7, or Polyethylene ASTM D2239 SIDR 9 tubing
- NO LEAD: The weighted average of the wetted surface of this no-lead product contacted by consumable water contains less than one quarter of one percent (0.25%) lead
- Material: Cast bronze C89844 MOD



BRONZE INSERT ADAPTER DIMENSIONS (in.)						
NOMINAL SIZE		BARB	H	H1	MIP	INSERT B
MIP	INSERT					
3/4	3/4	6	2.44	1.40	3/4-14 NPT	0.83-0.86
3/4	1	5	2.89	1.20	3/4-14 NPT	1.06-1.09
3/4	1-1/4	7	3.03	1.60	3/4-14 NPT	1.39-1.42
1	3/4	6	3.11	1.40	1-11.5 NPT	0.83-0.86
1	1	8	3.44	1.77	1-11.5 NPT	1.06-1.09
1	1-1/4	7	3.34	1.60	1-11.5 NPT	1.39-1.42
1-1/4	1	7	3.26	1.60	1-1/4-11.5 NPT	1.06-1.09
1-1/4	1-1/4	6	2.75	1.40	1-1/4-11.5 NPT	1.39-1.42
1-1/2	1-1/2	8	3.07	1.79	1-1/2-11.5 NPT	1.62-1.66
2	2	8	3.16	1.79	2-11.5 NPT	2.08-2.12

PROJECT	APPROVAL STAMP
PROJECT:	<input type="checkbox"/> APPROVED
ADDRESS:	<input type="checkbox"/> APPROVED AS NOTED
ENGINEER:	<input type="checkbox"/> NOT APPROVED
SUBMITTAL DATA:	REMARKS:
NOTES 1:	
NOTES 2:	