

Wafer Double Door Check Valve

FIG. LV5306

Specifications

- The short face to face dimension and compact design of this valve allow installation and service in tight spaces
- Spring assisted for better dynamic behavior
- Soft sealed for perfect tightness even at low differential pressure
- Available with flanges EN1092-2 PN10 or PN16, ANSI B16.1 Class125 (Other types available on request)
- WRAS approved:
CI body, EPDM seated for potable water

Working Pressure

- 16 bar / 25 bar, 200 psi / 300 psi.

Working Temperature

- -10°C to 120°C for EPDM seat
- -10°C to 82°C for NBR seat

Material Specifications

Part Name	Material	EN Specification	ASTM Specification
Body	Grey Cast Iron	EN1561 EN-GJL-250	A126 Class B
Disc	Stainless Steel	EN 10088 X5CrNi18-10	A351 Grade CF8
Seat	Rubber	EN681, EPDM or NBR	D2000
Hinge Pin	Stainless Steel	EN10088, X20Cr13	A276 Type 420
Stop Pin	Stainless Steel	EN10088, X20Cr13	A276 Type 420
Pin Retainer	Stainless Steel	EN 10088 X5CrNi18-10	A276 Type 304
Spring	Stainless Steel	EN 10088 X5CrNi18-10	A276 Type 304
Washer	Plastic	Commercial, PTFE	Commercial, PTFE
Gasket	Rubber	EN681, EPDM or NBR	Commercial

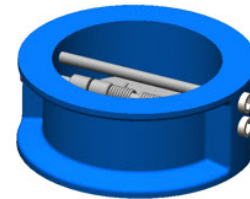
Dimensions (mm)

Size	A			B	N-R
	Table D / E Flange	ANSI 125# / 150# Flange	EN1092-2 PN16 Flange		
DN50	96	102	106	54	-
DN65	109	121	126	54	-
DN80	126	134	141	57	-
DN100	158	172	161	64	-
DN125	190	194	191	70	-
DN150	210	220	217	76	-
DN200	267	277	272	95	12-R12.5
DN250	331	337	327	108	12-R15
DN300	379	407	382	143	12-R15
DN350	445	447	442	184	16-R15
DN400	493	511	494	191	16-R16.5
DN450	559	546	554	203	-
DN500	616	602	616	213	-
DN600	723	715	733	222	-

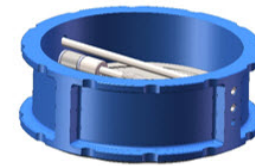
Notes

- Designs, materials and specifications shown are subject to change without notice due to the continuous development of our products.

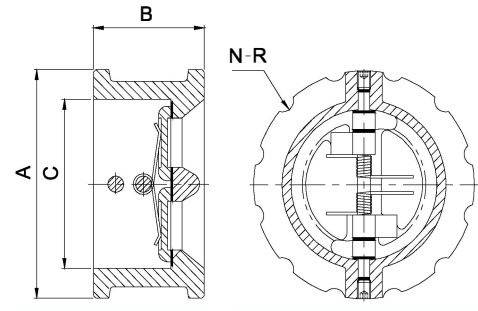
Schematic



Size DN50 - DN150
Size DN450 - DN600



Size DN200 - DN400



Corrosion Protection

- Internally and externally liquid epoxy painted or fusion bonded epoxy powder coated (FBE)