

## OS&Y Metal Seated Gate Valve

FIG. LV3111

### Specification

- Complies with EN1171, BS5150, BS3464 or MSS SP-70
- Adjustable stem seal
- Flange and drilling complies with EN1092-2 PN16
- Face-to-face dimensions in accordance with EN558-1 basic series 3, series14 or series15, ASME B16.10
- GOST Certification

### Working Pressure and Temperature

- 16 bar / 200 psi rated at -10°C to 120°C for size DN50 to DN600
- 25 bar / 300 psi rated at -10°C to 120°C for size DN50 to DN300

### Corrosion Protection

- Internally and externally liquid painted

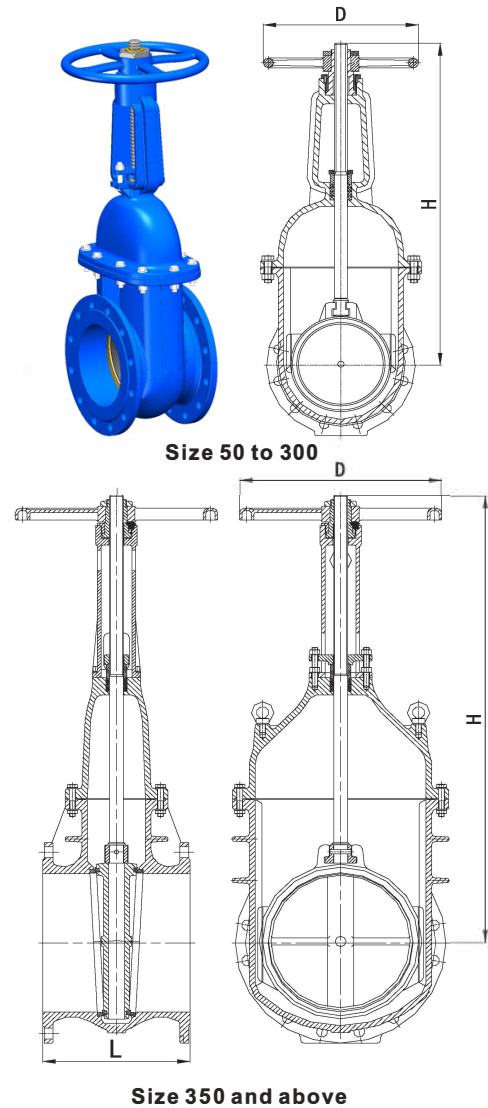
### Options

- Metal seat: bronze or stainless steel
- SS304 stainless steel stem
- Flange and drilling complies with ASME B16.1 Class 125
- Handwheel operated or gear operate or actuator

### Material Specifications

Part Name	Materials	EN Specification	ASTM Specification
<b>Body</b>	Ductile Iron	EN1563, GJS-450-10	A536, 65-45-12
<b>Bonnet</b>	Ductile Iron	EN1563, GJS-450-10	A536, 65-45-12
<b>Body Seat</b>	Stainless Steel	BS970 304S15	A276, Grade 304
	Bronze	EN1982 CC491K	B62 C83600
<b>Wedge</b>	Ductile Iron	EN1563, GJS-450-10	A536, 65-45-12
<b>WedgeSeat</b>	Stainless Steel	BS970 304S15	A276, Grade 304
	Bronze	EN1982 CC491K	B62 C83600
<b>Stem</b>	Stainless Steel	EN10088, X20Cr13	A276, Grade 420
	Brass	EN2874 CZ 124	B16 C36000
<b>Stem Nut</b>	Bronze	EN1982, CuAl10Fe3	B148 C95200
<b>Gasket</b>	Graphite	Non-asbestos	
<b>Packing</b>	Graphite	Non-asbestos	
<b>Packing Nut</b>	Stainless Steel	BS 970 304S15	A276, Grade 304
<b>Fasteners</b>	Carbon Steel	Grade 4.8	A307, Grade B
<b>Handwheel</b>	Ductile Iron	EN1563, GJS-450-10	A536, 65-45-12

### Schematic



### Dimensions (mm)

Size	50	65	80	100	125	150	200	250	300	350	400	450	500	600	
L	Series 3/B16.10	178	191	203	229	254	267	292	330	356	381	406	432	457	508
	Series 14	150	170	180	190	200	210	230	250	270	290	310	330	350	390
	Series 15	250	270	280	300	325	350	400	450	500	5550	600	650	700	800
	BS3464	146	159	165	171	191	210	241	273	305	-	-	-	-	-
H	362	427	508	620	709	809	990	1180	1352	1590	1720	1970	2090	2450	
D	183	183	254	254	305	305	355	455	455	558	558	610	610	610	

### Notes

- Designs, materials and specifications shown are subject to change without notice due to the continuous development of our products.