

## Shouldered Ends Center Line Butterfly Valve

FIG. LV2952A

### Specification

- Meet or exceed the requirements of MSS SP-67
- Centerline type
- Rubber seat liner bonded on the steel body
- Position lock
- Handle operated
- Shouldered end dimensions comply with AWWA C606

### Working Pressure and Temperature

- 10 bar / 16bar / 200 psi rated at -10°C to 82°C for BUNA-N liner

### Corrosion Protection

- Fusion bonded coating or liquid painting interior and exterior

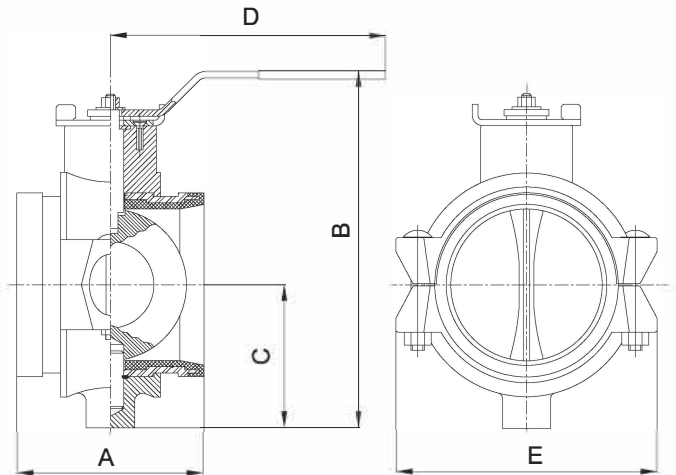
### Options

- WRAS approved fusion bonded coating or liquid painting and rubber seat
- EPDM bonded body seat
- CF8M Disc

### Material Specifications

Part	Material	ASTM Specification
Body	Carbon Steel	A120
Body Seat	Rubber	D2000, BUNA-N
Shaft	Stainless Steel	A276, Type 420
Disc	Stainless Steel	A351, Type CF8
Shaft Bush	Brass	B124, Grade C37700
Shaft Sealing	O-Ring	D2000, BUNA-N
Top Plate	Carbon Steel	A283M, Grade D
Coupling	Ductile Iron	A536, Grade 65-45-12
Handle	Carbon Steel	A283M, Grade D

### Schematic



### Dimensions (inch/mm)

Size	2"	2-1/2"	3"	4"	6"	8"
A	2.8/71	3.82/97	3.82/97	4.5/115	5.78/147	5.31/135
B	5.5/140	6.75/175	7.25/185	9/230	11.25/285	12.75/325
C	2/50	2.75/70	3/75	3.5/90	4.5/115	5.75/145
D	6.75/175	6.75/175	6.75/175	10.5/270	10.5/270	10.5/270
E	4/105	5/130	6/155	7/180	9.5/240	11.75/300

#### Notes

- Designs, materials and specifications shown are subject to change without notice due to the continuous development of our products.