

EN 593 Double Eccentric Butterfly Valve

FIG. LV2105 - PN10
FIG. LV2106 - PN16

Specification

- Meet or exceed the requirements of EN593
- Double eccentric type
- Rubber seat ring clamped on the disc
- Stainless steel seat welded on the body
- Mounting flange in accordance with ISO 5211
- Flange and drilling complies with EN1092 PN10/16
- Face to face dimension complies with EN558 series 13 or series 14

Working Pressure and Temperature

- 10 bar for size 80 to 2400
- 16 bar for size 80 to 1200
- -10°C to 120°C for EPDM liner
- -10°C to 82°C for BUNA-N liner

Corrosion Protection

- Fusion bonded coating or liquid painting interior and exterior

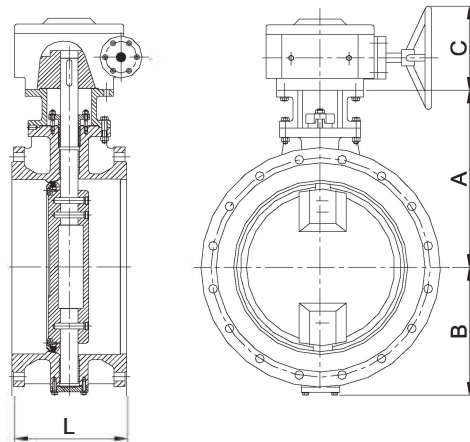
Options

- WRAS approved fusion bonded coating or liquid painting and rubber seated
- BUNA-N bonded disc seat

Material Specifications

Part	Material	EN Specification
Body	Ductile Iron	EN 1563, GJS-450-10
Body Seat	Stainless Steel	EN 10088, X5CrNi18-10 (1.4301)
Shaft	Stainless Steel	EN 10088, X20Cr13 (1.4021)
Disc	Ductile Iron	EN 1563, GJS-450-10
Disc Seat Ring	Rubber	EN 681, EPDM
Disc Holding Plate	Stainless Steel	EN 10088, X5CrNi18-10 (1.4301)
Shaft Bush	Brass	EN 12168, CuZn39Pb3(CW614N)
Adjust Spacer	Bronze	EN 12420, CuAl10Fe1 (CW305G)
Shaft Sealing	O-Ring	EN 681, BUNA-N
Shaft Retainer	Stainless Steel	EN 10088, X5CrNi18-10 (1.4301)
Bottom Plate	Ductile Iron	EN 1563, GJS-450-10

Schematic



Dimensions(mm)

Size	80	100	125	150	200	250	300	350	400	450	500	600	
L	Series 13	114	127	140	140	152	165	175	190	216	222	229	267
	Series 14	180	190	200	210	230	250	270	290	310	330	350	390
A	193	205	225	235	285	315	360	405	450	475	510	610	
B	123	135	145	155	195	205	250	270	315	335	365	440	
C	120	120	160	160	160	160	200	200	230	230	230	260	

Size	700	800	900	1000	1200	1400	1600	1800	2000	2200	2400	-
L	Series 13	292	318	330	410	470	530	600	670	760	850	-
	Series 14	430	470	510	550	630	710	790	870	950	1030	1110
A	655	720	770	880	1000	1110	1275	1360	2155	1725	1745	-
B	475	540	600	665	800	895	1055	1120	1335	1415	1515	-
C	260	260	335	335	335	350	400	400	520	520	520	-

Notes

- Designs, materials and specifications shown are subject to change without notice due to the continuous development of our products.