

LEAD FREE BRONZE GATE VALVE

MODEL LVBZGLF

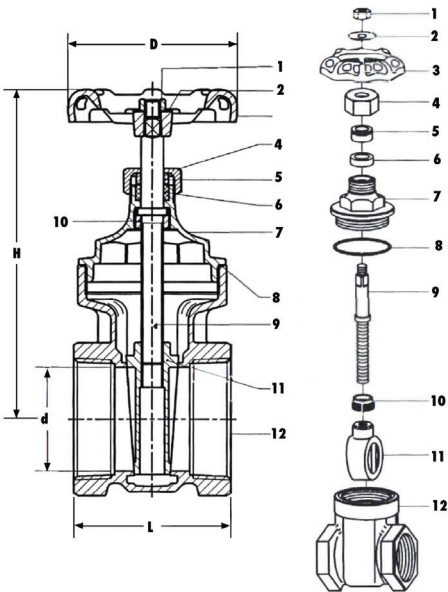


FEATURES:

- Lead Free Bronze
- Full Port
- Non-Rising Stem
- 300 WOG - 150 SWP
- Threaded Bonnet
- NSF 61 and 372 Certified
- Temp Rating 180° F ISO-9002
- Threaded Ends Comply with ASME 81 .20.1
- Valves Comply with MSS SP-61 and MSS SP-80
- Sizes 1/2" - 4"
- Valve has Lead Free markings for identifications

INSTALLATION:

The installation of this gate valve is accomplished using standard installation practices used in the plumbing and fire sprinkler industry. Proper sealing can be obtained by using a high quality PTFE pipe sealant such as Lans Seal or Teflon tape (never both), on the male threads, that are screwed into the valve. If during the valves operation a leak is found at the stem, the packing nut can be tightened a half turn at a time until the leak disappears; do not overtighten the packing nut. If the leak does not go away, the packing nut can be removed and new packing can be added, when re-tightening the packing nut, do not overtighten.



MATERIAL LIST		
NO.	PART	MATERIAL
1	Nut	Forged Brass C2600
2	Name Plate	Aluminum A1100
3	Handle	Cast Iron JIS ZZ2202
4	Packing Nut	Brass Rod C3770
5	Gland Ring	Brass Rod C3770
6	Gland Packing	PTFE
7	Bonnet	Cast Bronze C83600
8	Packing	FIBRE
9	Stem	1-1/2" -2" Brass Rod C37700
10	Lock Nut	2-1/2"-4" Cast Bronze C89844
11	Disc	Cast Bronze C89844
12	Body	Cast Bronze C89844

DIMENSIONS (In.)				
SIZE	D	D	H	L
1/2	0.53	2.09	2.92	1.71
3/4	0.75	2.13	3.31	1.81
1	0.99	2.48	3.90	2.13
1-1/4	1.26	2.72	4.61	2.25
1-1/2	1.50	3.15	5.08	2.44
2	1.93	3.53	5.99	2.70
2-1/2	2.44	4.0	7.87	3.70
3	2.95	4.37	8.82	4.0
4	3.62	4.85	9.88	4.53

PROJECT	APPROVAL STAMP
PROJECT:	<input type="checkbox"/> APPROVED
ADDRESS:	<input type="checkbox"/> APPROVED AS NOTED
ENGINEER:	<input type="checkbox"/> NOT APPROVED
SUBMITTAL DATA:	REMARKS:
NOTES 1:	
NOTES 2:	