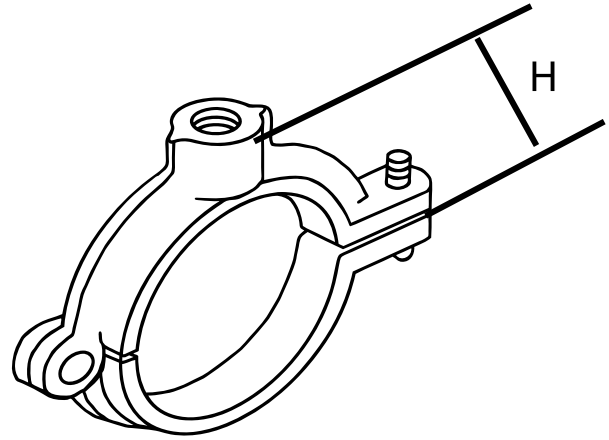


# HINGED SPLIT RING

## MODEL LVHSR



<b>MATERIAL</b>	<b>MALLEABLE IRON</b>
<b>MATERIAL STANDARD</b>	ASTM A47 Grade 32510
<b>SURFACE FINISH</b>	Plain Zinc Plated Copper Plated

PIPE SIZE (In.)	ROD THREAD (In.)	H		MAX. REC LOAD/LBS.
		PLAIN/ZINC (In.)	COOPER (In.)	
3/8	3/8	21/32	21/32	180
1/2	3/8	3/4	3/4	180
3/4	3/8	27/32	27/32	180
1	3/8	31/32	31/32	180
1-1/4	3/8	1-5/32	1-1/8	180
1-1/2	3/8	1-9/32	1-1/4	180
2	3/8	1-17/32	1-15/32	180
2-1/2	1/2	1-15/16	1-7/8	300
3	1/2	2-17/6	2-5/32	300
4	1/2	2 3/4	2-5/8	300

PROJECT	APPROVAL STAMP
PROJECT:	<input type="checkbox"/> APPROVED
ADDRESS:	<input type="checkbox"/> APPROVED AS NOTED
ENGINEER:	<input type="checkbox"/> NOT APPROVED
SUBMITTAL DATA:	REMARKS:
NOTES 1:	
NOTES 2:	