

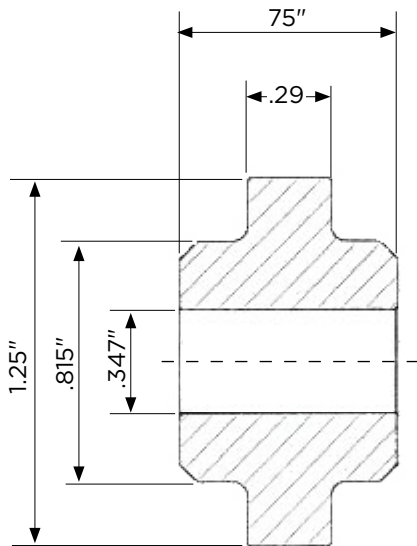
GROOVING WHEEL

MODEL LVGRW

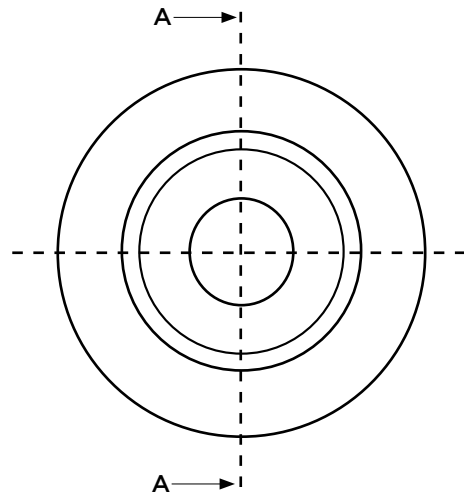


FEATURES:

- Made from heat treated steel to increase durability and the life of the tool
- Universal grooving wheel for portable In-the-Air cutting tools
- Grooves pipe to AWWA C111 specifications



SECTION A-A



PROJECT	APPROVAL STAMP
PROJECT:	<input type="checkbox"/> APPROVED
ADDRESS:	<input type="checkbox"/> APPROVED AS NOTED
ENGINEER:	<input type="checkbox"/> NOT APPROVED
SUBMITTAL DATA:	REMARKS:
NOTES 1:	
NOTES 2:	