

# GROOVED BUTTERFLY VALVE

MODEL LVBG1 2" - 8"

MODEL LVBG3 10" - 12"



LISTING No.  
7770-2326:0500



## DESCRIPTION:

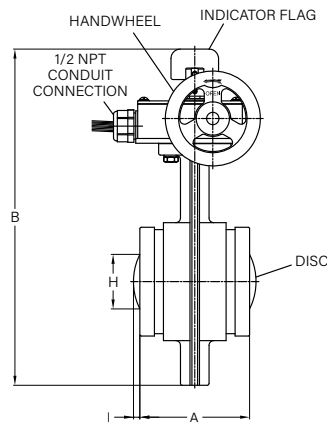
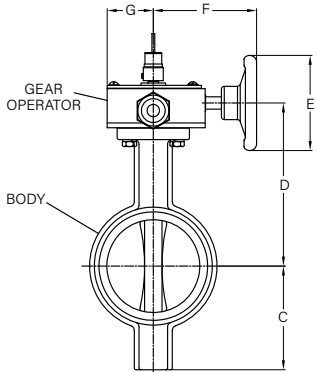
The Lansdale grooved butterfly valve is an NFPA compliant valve designed and manufactured for the Fire Protection industry and used as a control or isolation valve within the fire protection system.

## FEATURES:

- Model LVBG1 Rated 300 PSI
- Model LVBG3 Rated 175 PSI
- Indoor/Outdoor use
- Prewired double tamper switches/Normally Open
- Available Normally Closed
- Eliminates water hammer
- Slow open/slow close
- Flag type position indicator
- DI body encapsulated with a resistant durable polymer coating to ensure a long service life
- Disc is EPDM coated with SS stem

## INSTALLATION:

See Lansdale's Installation & Maintenance Manual for electrical schematics.



### DIMENSIONAL DATA (In.)

NOMINAL VALVE SIZE (In.) (DN)	PIPE OD	A	B	C	D	E	F	G	H	I	WT (Lbs.)
2	2.37	3.8	10.63	2.85	4.90	4.92	4.28	1.99	0	0	9.6
2-1/2	2.88	3.8	11.72	3.35	5.5	4.92	4.28	1.99	0	0	11.24
3	3.5	3.8	12.22	3.58	5.76	4.92	4.28	1.99	0	0	12.57
4	4.5	4.54	13.92	4.29	6.75	4.92	4.28	1.99	0	0	15.65
5	5.56	5.21	16.0	5.16	7.93	5.91	5.79	2.44	0	0	25.8
6	6.63	5.21	17.01	5.71	8.44	5.91	5.79	2.44	0	0	29.32
8	8.63	5.8	19.02	6.69	9.29	8.86	5.79	2.44	5.07	0.95	49.6
10	10.75	6.26	22.46	7.68	11.1	8.86	8.19	2.91	7.21	1.65	73.41
12	12.75	6.5	25.39	9.5	12.2	8.86	8.19	2.91	9.96	2.7	89.29

### MATERIAL LIST

NO.	DESCRIPTION	MATERIAL	SPECIFICATION
1	Body	Nylon-11 Coated	ASTM A536
2	Disc	EPDM Encapsulated	ASTM A536
3	Stem	Ductile Iron	ASTM A536
4	Signal & Gearbox	Ductile Iron	AISI410
5	Handwheel	Ductile Iron	ASTM A536
6	O-ring	EPDM	ASTM A536

PROJECT	APPROVAL STAMP
PROJECT:	<input type="checkbox"/> APPROVED
ADDRESS:	<input type="checkbox"/> APPROVED AS NOTED
ENGINEER:	<input type="checkbox"/> NOT APPROVED
SUBMITTAL DATA:	REMARKS:
NOTES 1:	
NOTES 2:	