

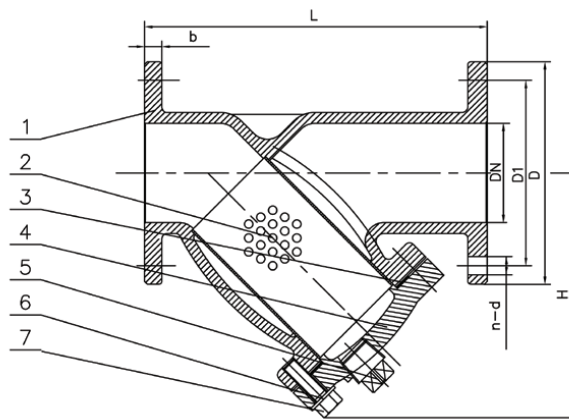
FLANGED Y-TYPE STRAINER (V4)

MODEL LVYSTF



FEATURES:

- **Connection Ends:** Flange to ASME B16.1 Class 125/ASME B16.42 Class 150
- **Working Pressure:** 300 PSI
- **Temperature Range:** 14°F - 212°F
- **Coating:** Fusion Bonded Epoxy Coating in accordance with ANSI/AWWA C550



DIMENSIONS (in)						
SIZE (IN)	L	D	D1	b	Hole Dia.	H
2"	7.875	6	4.75	.63	.75	6.1
2.5"	10	7	5.50	.69	.75	6.5
3"	10.12	7.5	6.0	.75	.75	7.1
4"	12.0	9	7.50	.75	.75	9.0
5"	15.63	10	8.46	.875	.875	11.22
6"	18.50	11	9.50	.875	.875	12.25
8"	21.6	13.50	11.75	.875	.875	15.5
10"	25.75	16.0	14.25	1.0	1.0	19.1
12"	29.9	19	17.0	1.0	1.0	21.53

MATERIAL SPECIFICATION		
PART NO.	PART	STANDARD SPECIFICATION
1	Valve Body	ASTM A536 65-45-12
2	Screen	AISI 304 (Perforated)
3	Gasket	Graphite + Acanthopore Plate
4	Bonnet	ASTM A536 65-45-12
5	Plug	Malleable Iron Galvanized
6	Bolt	Carbon Steel Zinc Plated
7	Flat Washer	Carbon Steel Zinc Plated

PROJECT	APPROVAL STAMP
PROJECT:	<input type="checkbox"/> APPROVED
ADDRESS:	<input type="checkbox"/> APPROVED AS NOTED
ENGINEER:	<input type="checkbox"/> NOT APPROVED
SUBMITTAL DATA:	REMARKS:
NOTES 1:	
NOTES 2:	