

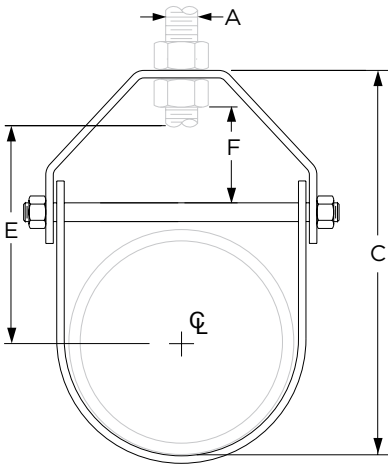
# CLEVIS HANGER

MODEL LV703



**FEATURES:**

- Material: Steel
- Standard Finish: Galvanized
- Designed for suspending stationery pipe and allowing for vertical adjustment
- UL Listed /FM Approved
- Complies with Federal Specification WW-H-171E Type 12 Riser



Pipe Size (In)	Max Load	Weight	Rod Size A (In)	C (In)	Rod take out E (In)	Adjust. F (In)	Width (In)
3/4	610	0.22	3/8	2.76	1.61	0.67	0.87
1	730	0.27	3/8	3.27	1.89	0.87	0.87
1-1/4	730	0.26	3/8	3.15	1.85	0.71	0.87
1-1/2	730	0.31	3/8	3.54	2.09	0.79	0.87
2	730	0.34	3/8	4.37	2.64	0.98	0.87
2-1/2	1350	0.96	1/2	5.39	4.17	1.61	1.10
3	1350	1.07	1/2	6.30	4.49	1.93	1.10
4	1430	1.32	5/8	7.76	4.96	1.65	1.10
5	1430	1.65	5/8	9.25	5.98	2.17	1.10
6	1940	2.68	3/4	10.87	6.54	2.24	1.50
8	2000	3.75	7/8	14.02	8.07	2.91	1.50
10	3600	7.74	7/8	17.56	10.08	3.54	1.89
12	3800	11.62	7/8	20.91	11.77	4.25	1.89

PROJECT	APPROVAL STAMP
PROJECT:	<input type="checkbox"/> APPROVED
ADDRESS:	<input type="checkbox"/> APPROVED AS NOTED
ENGINEER:	<input type="checkbox"/> NOT APPROVED
SUBMITTAL DATA:	REMARKS:
NOTES 1:	
NOTES 2:	