

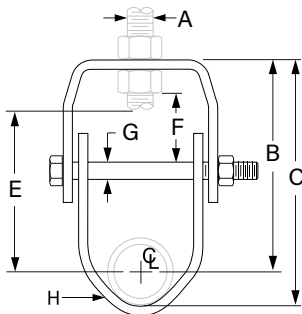
CLEVIS HANGER

MODEL LV703

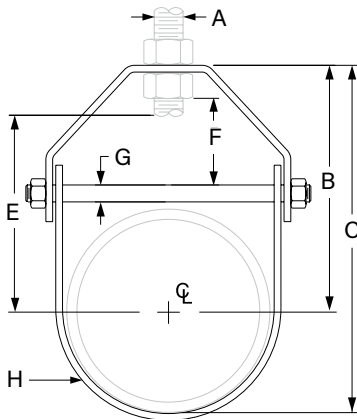


FEATURES:

- Material: Steel
- Standard Finish: Galvanized
- Designed for suspending light stationery pipe and allowing for vertical adjustment
- UL Listed for 3/4" through 4"
- Complies with Federal Specification WW-H-171E Type 12 Riser



Pipe Size 1/2" to 3/4"



Pipe Size 1" and Larger

Pipe Size	Max Load	Weight	Rod Size A	B	C	Rod take out E	Adjust. F	G	H Width Lower
1/2"	610	0.34	3/8"	2 3/16"	2 11/16"	1 1/2"	5/8"	1/4"	1"
3/4"	610	0.34	3/8"	2"	2 11/16"	1 5/16"	5/8"	1/4"	1"
1"	730	0.35	3/8"	2 5/16"	3"	1 5/8"	5/8"	1/4"	1"
1 1/4"	730	0.40	3/8"	2 3/8"	3 1/4"	1 11/16"	5/8"	1/4"	1"
1 1/2"	730	0.45	3/8"	2 13/16"	3 13/16"	2 1/8"	7/8"	1/4"	1"
2"	730	0.50	3/8"	3 5/16"	4 1/2"	2 5/8"	1 1/8"	1/4"	1"
2 1/2"	1350	0.65	1/2"	4 1/16"	5 1/2"	3 3/16"	1 5/16"	3/8"	1"
3"	1350	0.85	1/2"	4 3/4"	6 1/2"	4 1/16"	1 5/8"	3/8"	1"
3 1/2"	1350	1.10	1/2"	5 1/16"	7 1/16"	4 3/16"	1 13/16"	3/8"	1 1/4"
4"	1430	1.51	5/8"	5 9/16"	7 13/16"	4 1/2"	1 11/16"	3/8"	1 1/4"
5"	1430	1.70	5/8"	6 9/16"	8 15/16"	5 1/2"	1 15/16"	3/8"	1 13/16"
6"	1940	3.10	3/4"	6 15/16"	10 1/4"	5 3/4"	1 11/16"	1/2"	1 7/16"
8"	2000	4.75	3/4"	8 3/8"	12 11/16"	7 3/16"	2"	1/2"	1 7/16"

PROJECT	APPROVAL STAMP
PROJECT:	<input type="checkbox"/> APPROVED
ADDRESS:	<input type="checkbox"/> APPROVED AS NOTED
ENGINEER:	<input type="checkbox"/> NOT APPROVED
SUBMITTAL DATA:	REMARKS:
NOTES 1:	
NOTES 2:	