

# CAP & CHAIN

## MODEL LVCNC



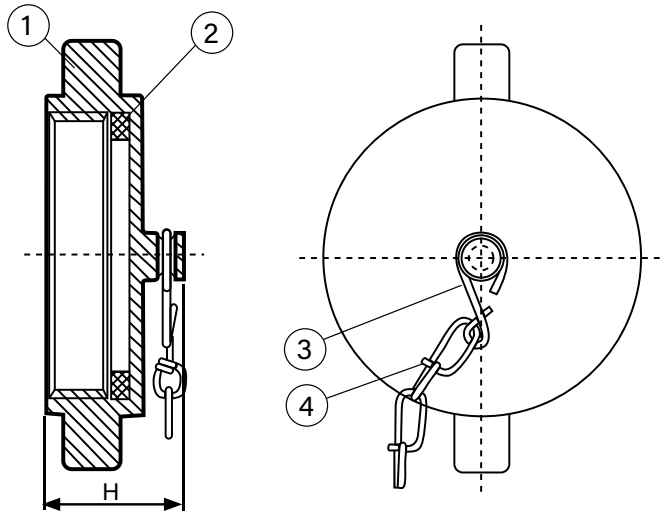
**FEATURES:**

Used to protect male outlet threads on valves and hydrants.

**OPTIONAL FINISHES:**

- RB-Rough Brass
- PB-Polished Brass
- RC-Rough Chrome Plated
- PC-Polished Chrome Plated
- Specify Thread

DIMENSIONS			
SIZE	1½"	2½"	3"
H	1.38"	1.51"	1.72"



MATERIAL LIST		
NUMBER	DESCRIPTION	MATERIAL
1	Cap	1½": ASTM B584 C85700 2½", 3": ASTM B124 C37700
2	Rubber Facing	Vulcanized Rubber
3	Snap Ring	Brass
4	Chain	Brass

PROJECT	APPROVAL STAMP
PROJECT:	<input type="checkbox"/> APPROVED
ADDRESS:	<input type="checkbox"/> APPROVED AS NOTED
ENGINEER:	<input type="checkbox"/> NOT APPROVED
SUBMITTAL DATA:	REMARKS:
NOTES 1:	
NOTES 2:	