

# CPVC STAND OFF STRAP

MODEL LVH772



EX28458



## DESCRIPTION:

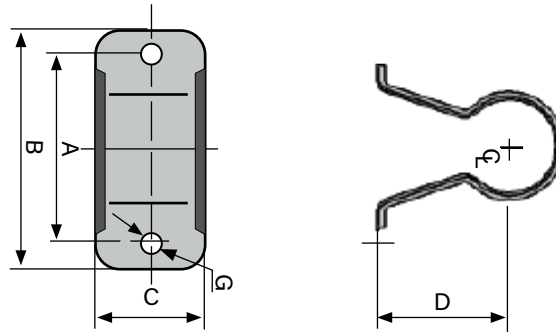
- For mounting CPVC pipe to wood
- Flared edges help protect CPVC
- Galvanized steel
- Supplied with 2- #10 x 1" hex head cap screws
- Complies with the static load requirements of NFPA® 13
- Suitable for fire protection installations
- Approved for both vertical and horizontal installation
- Eliminates spacers or backup blocks
- Easy installation

## INSTALLATION:

Place hanger over pipe.

Secure hanger to mounting surface with 2- #10 x 1" screw provided.

Steel applications require two (2) #14 x 1" hex washer head self-drilling Tek Screws. (Not Supplied)



Designed to mount CPVC pipe to wood or composite wood joist with a minimum 3/8" thickness, galvanized steel, beveled edge design.

Size (in.)	A (in.)	B (in.)	C (in.)	D (in.)	G (in.)	Approx. Wt. (lbs.)
3/4	2.60	3.27	1.10	2.17	0.28	0.15
1	2.76	3.35	1.10	2.28	0.28	0.18
1-1/4	2.99	3.70	1.10	2.44	0.28	0.20
1-1/2	3.78	4.33	1.10	2.56	0.28	0.20
2	4.33	4.72	1.10	2.87	0.28	0.22

PROJECT		APPROVAL STAMP
PROJECT:		<input type="checkbox"/> APPROVED
ADDRESS:		<input type="checkbox"/> APPROVED AS NOTED
ENGINEER:		<input type="checkbox"/> NOT APPROVED
SUBMITTAL DATA:		REMARKS:
NOTES 1:		
NOTES 2:		