

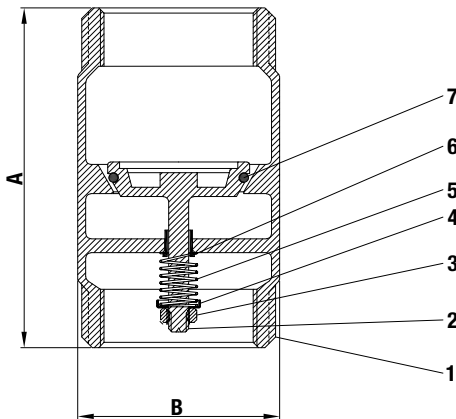
BRASS INLINE CHECK VALVE

MODEL LVICV



FEATURES:

- **Size Range:** 1 " through 2"
- **Working Pressures:** 200 PSI
- **Testing Pressure:** Shell 80 PSI AIR, Seat 80 PSI AIR
- **Remarks:** Threads to ANSI B1.20.1 (NPT)
- Cast brass body
- Forged brass poppet provide extra strength
- Valves can be installed in horizontal or vertical position
- 304 stainless steel springs
- Non-corrosive Nylon stem guide assures smooth, noise free valve operation
- Abrasion-resistant neoprene O-ring is precision fitted to the poppet for positive seal into the tapered self-clean valve seat
- Contains lead. Not for use in water systems intended for human consumption



NUMBER	PART NAME	MATERIAL	SPEC. ASTM
1	Body	Cast Brass	B584 C85700
2	Disc	Forged Brass	B124 C37700
3	Nut	Stainless Steel	S.S.304
4	Spring Cover	Stainless Steel	S.S.304
5	Spring	Stainless Steel	S.S.304
6	Disc Guide	Nylon	—
7	O-Ring	NBR	—

SIZE	A	B
1"	3.15"	1.73"
1¼"	3.62"	2.13"
1½"	4.02"	2.36"
2"	5.04"	3.00"

****WARNING: DO NOT OVER TIGHTEN**

Over tightening during installation will crack the valve body. Evidence of over tightening may not be readily visible or apparent upon pressurization.

PROJECT	APPROVAL STAMP
PROJECT:	<input type="checkbox"/> APPROVED
ADDRESS:	<input type="checkbox"/> APPROVED AS NOTED
ENGINEER:	<input type="checkbox"/> NOT APPROVED
SUBMITTAL DATA:	REMARKS:
NOTES 1:	
NOTES 2:	