

# LEAD-FREE BALL VALVE FULL PORT MODEL LVLFBV



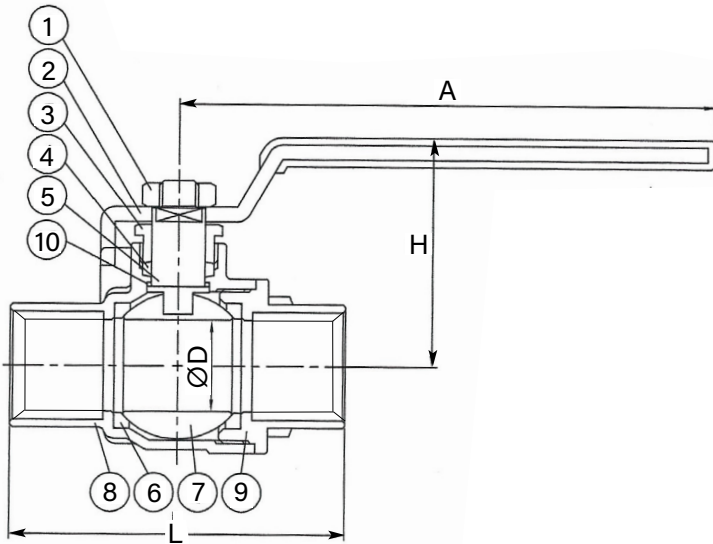
### DESCRIPTION:

The Lansdale Model LVLFBV full port ball valve is UL Listed and FM Approved for use in fire protection piping trim, but can also be used in certain plumbing, HVAC, Waterworks, and industrial applications. Valves conform to Federal Specifications WW-V-35, Type II Class A, Style 3; MSS SP-110; ASTM B 171 and meets UNS C46400.

- Full Port threaded ends
- CSA/UL/ANSI/CAN 61 & 372
- 2-piece forged brass
- Female NPT inlet and outlet
- 600 WOG/150 SWP

### INSTALLATION:

This valve should be installed using standard industry practices, the male threads connecting to it should be coated with a Teflon thread sealant such as Lans Seal or a teflon tape prior to assembly.



NO.	DESCRIPTION	MATERIAL
1	Nut	AISI-1010
2	Handle	ASTM A283-D
3	Stem Gland Screw	ASTM B16-C36000
4	Stem Packing	Teflon PTFE
5	Stem	ASTM B16-C36000
6	Ball Disc Packing	Teflon PTFE
7	Ball Disc	C46400
8	Body	C46400
9	End Plug	C46400
10	Thrust Washer	Teflon PTFE

SIZE (in.)	L	H	D	A
3/8	1.81	1.46	.40	3.15
1/2	2.13	1.50	.50	3.15
3/4	2.48	1.85	.75	4.33
1	2.99	2.05	.98	4.33
1-1/4	3.35	2.36	1.26	5.12
1-1/2	3.62	2.56	1.50	5.12
2	4.25	3.11	1.97	7.87
2-1/2	5.16	3.50	2.48	7.87
3	5.91	3.86	2.95	7.87

PROJECT	APPROVAL STAMP
PROJECT:	<input type="checkbox"/> APPROVED
ADDRESS:	<input type="checkbox"/> APPROVED AS NOTED
ENGINEER:	<input type="checkbox"/> NOT APPROVED
SUBMITTAL DATA:	REMARKS:
NOTES 1:	
NOTES 2:	