



a/af*

2-1/2 GROOVED INLET x NST;
NYCC; FDNY



b/bf*

2-1/2 NPT x MNST, NYCC,
FDNY, FNST, MPHX, MTEMPE



c/cf*

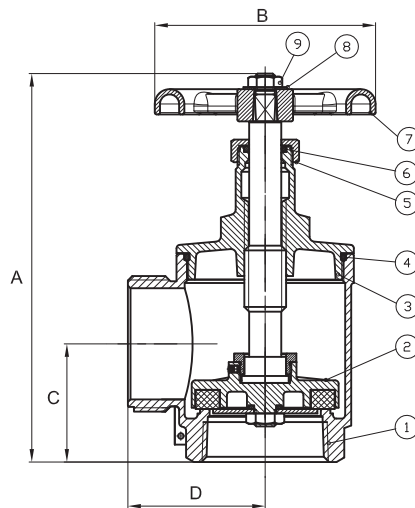
1-1/2 NPT x MNST, or FNST

DESCRIPTION:

Lansdale Angle Hose Valves feature all brass construction with cast bodies for rigidity and light weight. Rated to 300 lbs. These valves can be used with a Fire Hose Rack Assembly or as a Fire Department Connection outlet.

FEATURES:

- Sizes: 1-1/2", 2-1/2"
- Maximum Inlet Pressure: 300 PSI
- Inlet Connection: FNPT or Grooved
- Outlet Connection: Male Hose, FNPT, Special Thread (optional)



MATERIAL LIST		
NO.	DESCRIPTION	SPECIFICATION
1	Body	C37700
2	Spool Assembly	Sub Assembly (C37700)
3	Bottom	C37700
4	O-Ring	EPDM (A70)
5	Gland Nut	C37700
6	O-Ring	EPDM (A70)
7	Hand Wheel	304
8	Wheel Washer	ZL102
9	Wheel Nut	C37700

*female outlet

DIMENSIONS (In.) & WEIGHTS						
TYPE	A OPEN	A CLOSED	B	C	D	WEIGHT (Lbs.)
a	11-1/2	9-7/8	5	3-5/8	na	9
af*	11-1/2	9-7/8	5	3-5/8	na	9
b	10-5/8	8-7/8	5	2-3/4	3-1/2	8
bf*	10-5/8	8-7/8	5	2-3/4	3-3/4	8
c	7-3/4	6-3/4	4	2	2-3/4	4
cf*	7-3/4	6-3/4	4-1/8	2	2-7/8	4

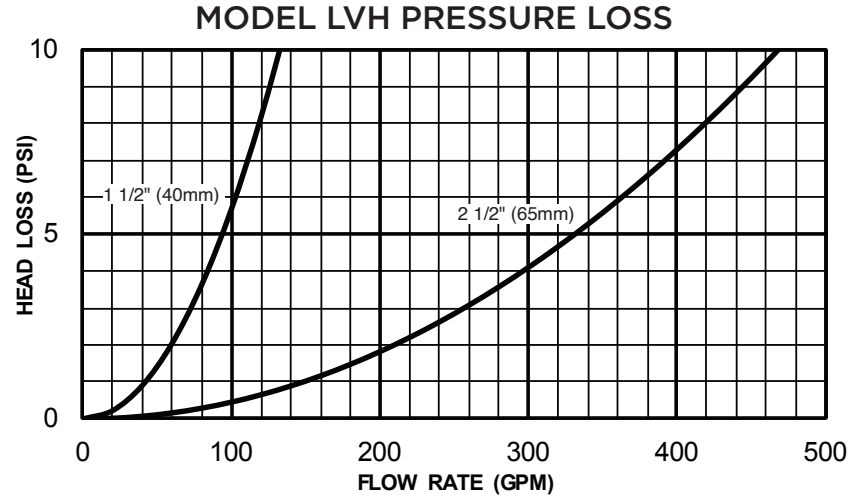
PROJECT	APPROVAL STAMP
PROJECT:	<input type="checkbox"/> APPROVED
ADDRESS:	<input type="checkbox"/> APPROVED AS NOTED
ENGINEER:	<input type="checkbox"/> NOT APPROVED
SUBMITTAL DATA:	REMARKS:
NOTES 1:	
NOTES 2:	

ANGLE HOSE VALVE

MODEL LVH



Flow Characteristic



PROJECT	APPROVAL STAMP
PROJECT:	<input type="checkbox"/> APPROVED
ADDRESS:	<input type="checkbox"/> APPROVED AS NOTED
ENGINEER:	<input type="checkbox"/> NOT APPROVED
SUBMITTAL DATA:	REMARKS:
NOTES 1:	
NOTES 2:	