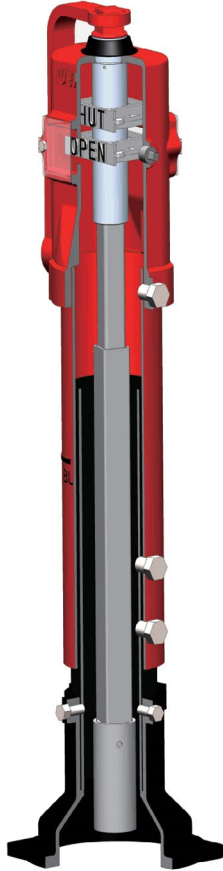


# ADJUSTABLE VERTICAL INDICATOR POST

MODEL LVVIP



## FEATURES:

- Meet or Exceed the Requirements of NFPA 24 Standard
- Indicates the State of the Valve OPEN or SHUT Position
- Target Nut to allow 13 to 45 Turns
- “L” Shaped Wrench Handle fitted with a Secure Padlock (provided by user).
- Protected Windows
- Telescoping Operating Rod
- Easily Adjustable Indicator OPEN and SHUT Targets
- UL/ULC 789 Listed and FM1110 Approved

## CORROSION PROTECTION:

- Spray Painted Interior and Exterior meet or exceed all applicable of AWWA C550 Standard.
- Stand Barrel: Black Bitumen Coated

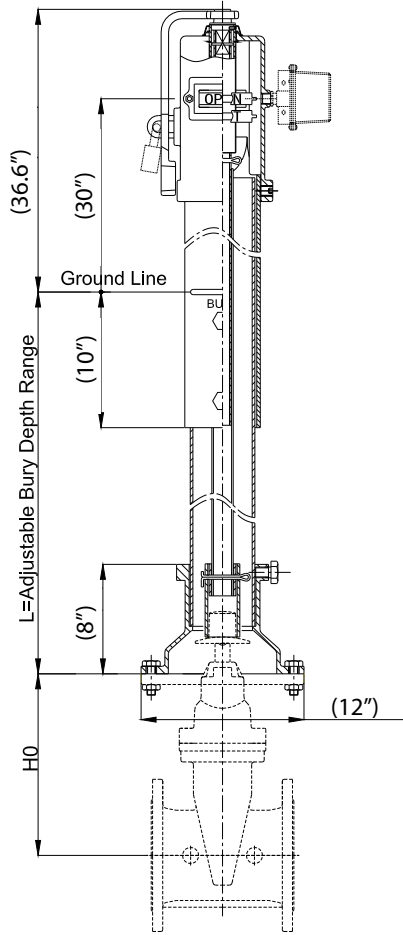
## FIELD ADJUSTMENTS:

- Remove the post head to adjust OPEN and SHUT signs as required.
- Adjust telescoping rod and pipe to desired length.
- Re-attach the post to the post flange on the valve



# ADJUSTABLE VERTICAL INDICATOR POST

MODEL LVVIP



SIZES 4" TO 14"

MATERIAL SPECIFICATIONS		
PART	MATERIAL	ASTM SPECIFICATION
Post Head	Gray Cast Iron	A126 Class B
Operating Wrench	Ductile Iron	A536 Grade 65-45-12
Retaining Ring	Stainless Steel	A276 Type 304
Weather Cap	Polyethylene	Commercial
Threaded Sleeve	Stainless Steel	A276 Type 304
Pipe Plug	Malleable Iron	A47 Grade 22010
Target Plate	Aluminum Alloy	ASTM B26
Screw	Carbon Steel	A105
Target Plate	Aluminum Alloy	ASTM B26
Windows	Plexiglass	Commercial
Gasket	Rubber	D2000 NBR
Upper Barrel	Carbon Steel	A53 Type S Grade B
Lower Barrel	Carbon Steel	A53 Type S Grade B
Upper Rod	Carbon Steel	A53 Type S Grade B
Lower Rod	Carbon Steel	A53 Type S Grade B
Base Flange	Cast Iron	A126 Class B
Locking Bolts	Carbon Steel	A307 Grade B
Locking Nuts	Carbon Steel	A 105
Cotter Pin	Stainless Steel	A276 Type 304
Crane Coupling	Carbon Steel	A53 Type S Grade B

DIMENSIONS DATA FOR LANSDALE ADJUSTABLE VERTICAL INDICATOR POST (In)						
SIZE	4	6	8	10	12	14
URNS TO OPEN	13	20	26	33	39	45
H0	9.92	13.97	17.48	21.06	24.29	28.62

L= ADJUSTABLE BURY DEPTH RANGE							
L	A	B	C	D	E	F	G
MIN	18.25	36	57	78	99	120	148.5
MAX	39.5	60.5	81.5	102.5	123.5	144.5	168

PROJECT	APPROVAL STAMP
PROJECT:	<input type="checkbox"/> APPROVED
ADDRESS:	<input type="checkbox"/> APPROVED AS NOTED
ENGINEER:	<input type="checkbox"/> NOT APPROVED
SUBMITTAL DATA:	REMARKS:
NOTES 1:	
NOTES 2:	