



ANGLE BODY FIRE DEPARTMENT CONNECTION

MODEL SC22D



FEATURES:

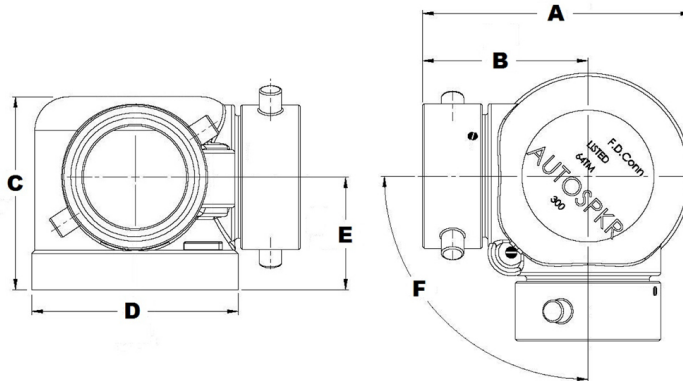
4" x 2.5" x 2.5"

Cast brass angle body exposed fire department connection. UL/ULC listed and FM Approved swing clapper body that is used as an auxiliary connection and follows up to 500 GPM to supplement the system water supply for fire protection. The swing clapper provides unobstructed waterway and exposed design is an economical method of satisfying fire department inlet requirements. Specify regional hoses thread for outlet.

- **Finish:** Cast Brass
- **Options:** Polish Brass, Cat Chrome or Polished Chrome
- **Hose Thread Options:** Call for availability for specific thread types

Dimensions:

- A= 6.6"
- B= 4.0"
- C= 4.7
- D= 5.0"
- E= 2.8"
- F= 90°



PROJECT	APPROVAL STAMP
PROJECT:	<input type="checkbox"/> APPROVED
ADDRESS:	<input type="checkbox"/> APPROVED AS NOTED
ENGINEER:	<input type="checkbox"/> NOT APPROVED
SUBMITTAL DATA:	REMARKS:
NOTES 1:	
NOTES 2:	