

# 1 PC 316SS REDUCED PORT BALL VALVE

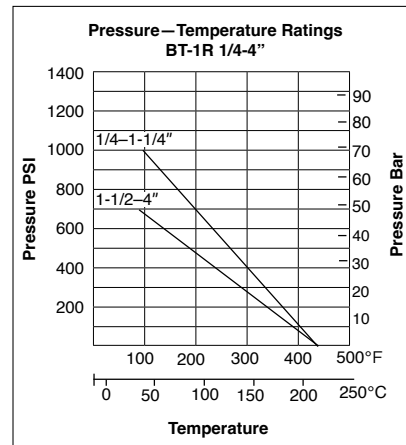
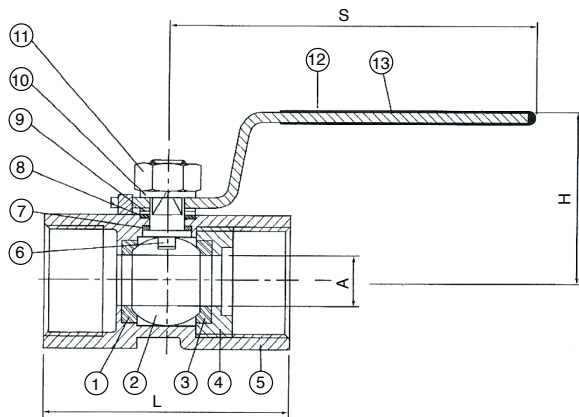
## MODEL LVSS1BV



### DESCRIPTION:

The Lansdale Model LVSS reduced port ball valve is a Stainless Steel NPT ball valve that conforms to MSS SP-10.

- Threaded: NPT
- Materials: SS316
- Working pressure 800/1000 PSI for WOG (See chart below for sizes)
- Adjustable stem packing
- Pure Teflon™ seals and seats
- Temperature range: -60 to 450°F
- Blow-out proof stem and safe pressure-reducing hole
- 100% leak tested at 100 PSI air under water
- Hydrostatic test pressure 1500 PSI
- Size: 1/4"– 4" reduced port/bore



No.	DESCRIPTION	QTY	MATERIAL	ASTM SPECIFICATION
1.	Seat	2	Teflon	PTFE
2.	Ball	1	Stainless Steel	ASTM A 276 type CF8M
3	Joint Gasket	1	Teflon	PTFE
4	Body Insert	1	Stainless Steel	ASTM A 351 type CF8M
5	Body	1	Stainless Steel A	STM A 351 type CF8M
6	Stem	1	Stainless Steel	ASTM A 276 type 316
7	Thrust Washer	1	Teflon	PTFE
8	Stem packing	1	Teflon	PTFE
9	Gland Nut	1	S tainless Steel	ASTM A 276 type 304
10	Stem Washer	1	Stainless Steel	ASTM A 276 type 304
11	Stem Nut	1	Stainless Steel	ASTM A 276 type 304
12	Plastic Sleeve	1	PVC	
13	Handle	1	Stainless Steel	ASTM A 276 type 304

Size (In.)	S	H	A	L
1/4	2.33	1.12	0.18	1.53
3/8	3.11	1.31	0.27	1.73
1/2	3.45	1.59	0.35	2.24
3/4	3.35	1.63	0.49	2.31
1	3.89	1.81	0.63	2.8
1-1/4	3.89	2.03	0.79	3.07
1-1/2	4.96	2.58	0.98	3.27
2	4.96	2.82	1.26	3.94
2-1/2	6.93	3.45	1.49	4.8
3	6.93	3.74	1.97	5.59
4	-	-	-	-

PROJECT		APPROVAL STAMP	
PROJECT:		<input type="checkbox"/>	APPROVED
ADDRESS:		<input type="checkbox"/>	APPROVED AS NOTED
ENGINEER:		<input type="checkbox"/>	NOT APPROVED
SUBMITTAL DATA:		REMARKS:	
NOTES 1:			
NOTES 2:			